



---

# GENERATOR USER MANUAL

---

## Model Numbers E3750 S5500



E3750



S5500

### MODEL & SERIAL NUMBER

Enter the Model and Serial numbers of your generator in the spaces provided below. Retain these numbers for future reference. The Model and Serial numbers are located on the generator data plate on the alternator case or generator frame, along with other important information.

Model Number \_\_\_\_\_

Serial Number \_\_\_\_\_

---

# CONTACT INFORMATION

**For Parts, Service or your nearest distributor call:**

**U.S. and Canada**  
**(800) 445-1805**

**Latin America**  
**(305) 888-9911**

---

## Contents

ENGLISH INSTRUCTIONS .....	4
SAFETY .....	4
<i>GENERAL INFORMATION</i> .....	4
<i>SAFETY RULES</i> .....	4
LIMITED WARRANTY .....	6
PRODUCT REGISTRATION .....	7
OPERATION .....	8
<i>BEFORE START-UP</i> .....	8
<i>OPERATION</i> .....	8
<i>GENERATOR APPLICATION</i> .....	9
<i>LOADING YOUR GENERATOR SET</i> .....	10
<i>ENGINE LIMITATIONS ON GENERATOR PERFORMANCE</i> .....	10
<i>GENERATOR CLEANING</i> .....	10
<i>GENERAL STORAGE GUIDELINES</i> .....	10
<i>RECEPTACLE DETAILS</i> .....	10
GENERAL MAINTENANCE .....	11
<i>Oil Selection</i> .....	11
<i>DAILY INSPECTION</i> .....	11
<i>FAULT FINDING GUIDE</i> .....	11
PARTS ORDERING .....	12
SECTION 2 .....	13
<i>E3750 GENERATOR PARTS AND PART LISTS</i> .....	14
<i>E3750 A.C. Wiring Schematic</i> .....	15
SECTION 3 .....	16
<i>S5500 GENERATOR PARTS AND PART LISTS</i> .....	16
<i>S5500 A.C. Wiring Schematic</i> .....	20
FRENCH INSTRUCTIONS .....	21
SÉCURITÉ .....	21
<i>INFORMATION GENERALE</i> .....	21
<i>règles de sécurité</i> .....	21
GARANTIE LIMITÉE .....	23
ENREGISTREMENT DE LA PRODUIT .....	24

# Contents

UTILISATION .....	25
<i>INFORMATION GÉNÉRALE</i> .....	25
<i>AVANT LE DÉMARRAGE</i> .....	25
<i>UTILISATION</i> .....	25
<i>USAGE DE LA GÉNÉRATRICE</i> .....	27
<i>charger votre génératrice</i> .....	27
<i>Limite du moteur sur la performance de la génératrice</i> .....	27
<i>Nettoyage de la génératrice</i> .....	28
<i>Règles générales d'entretien</i> .....	28
<i>Détails des réceptacles (prise femelle)</i> .....	28
ENTRETIEN GÉNÉRAL .....	29
<i>Sélection d'huile</i> .....	29
<i>INSPECTION</i> quotidienne .....	29
<i>guide des failles</i> .....	29
COMMANDE DES PIÈCES .....	30
SPANISH INSTRUCTIONS .....	32
SEGURIDAD .....	32
<i>informacion GENERAL</i> .....	32
<i>reglas de seguridad</i> .....	32
GARANTIA LIMITADA .....	34
REGISTRACION DE PRODUCTO .....	35
FUNCIONAMIENTO .....	36
<i>comenzando</i> .....	36
<i>funcionamiento</i> .....	36
<i>APLICACIÓN del generador</i> .....	37
<i>Carga DE su generador</i> .....	38
<i>limitaciones del motor y rendimiento del generador</i> .....	38
<i>limpieza del generador</i> .....	38
<i>Almacenamiento general pautas</i> .....	38
<i>DETALLES DE RECEPTACULOS</i> .....	38
MANTENIMIENTO GENERAL .....	39
<i>Selection de aceite</i> .....	39
<i>inspeccion diaria</i> .....	39
<i>Guia para encontrar fallas</i> .....	39
ORDENANDO PIEZAS .....	40

All information provided in this manual is believed to be correct at the time of printing. The manufacturer reserves the right to correct any errors and omissions.

# ENGLISH INSTRUCTIONS

## SAFETY

### GENERAL INFORMATION

This manual is provided so that your generator may be properly, safely and effectively applied and operated. Please read and understand all aspects of this manual before operating your generator set. Please also read and understand the documentation supplied with this generator regarding the engine and alternator. Keep this documentation in a safe and accessible place so that reference can be made as needed. All operators, users and subsequent owners of this generator must read and understand all aspects of this documentation before operating this product.



THIS SYMBOL IS USED THROUGHOUT YOUR OWNER'S MANUAL TO BRING ATTENTION TO IMPORTANT SAFETY INSTRUCTIONS. THE WORDS DANGER, WARNING, AND CAUTION ACCOMPANY THIS SYMBOL AND REFLECT THE POTENTIAL SEVERITY OF INJURY OR DAMAGE. FAILURE TO FOLLOW SAFETY INSTRUCTIONS COULD ENDANGER YOU OR OTHERS AND RESULT IN PERSONAL INJURY OR DEATH. READ AND UNDERSTAND ALL SAFETY INSTRUCTIONS BEFORE OPERATION.

### SAFETY RULES

#### SPARK ARRESTING MUFFLER

Certain States and Jurisdictions require that engine driven equipment be fitted with spark arresting mufflers. Depending on the generator model, spark-arresting mufflers may or may not be fitted. If spark-arresting mufflers are required for your location and the generator muffler is not spark arresting, contact your local dealer for instructions for a retrofit.

#### EXHAUST EMISSION CONTROL SYSTEM

The exhaust emission control system for this generator complies with the standards set forth by the California Air Resources Board (CARB) and the Environmental Protection Agency (EPA). The respective engine manufacturers administer warranties for the exhaust emission system. Refer to the engine documentation for warranty information.

#### WARNING

**The engine exhaust from this product contains chemicals known to the State of California to cause cancer, birth defects, or other reproductive harm.**

### ELECTROCUTION



**DANGER:** THIS GENERATOR SET PRODUCES ELECTRICAL CURRENT. THEREFORE, SAFETY GUIDELINES MUST BE FOLLOWED. IMPROPER USE OF THIS GENERATOR CAN RESULT IN ELECTROCUTION, INJURY OR DEATH. DO NOT OPERATE, SERVICE OR REPAIR THIS GENERATOR UNLESS FULLY QUALIFIED TO DO SO.



**DANGER:** THIS GENERATOR SET IS DESIGNED TO BE OPERATED IN DRY CONDITIONS AND FOR OUTDOOR AREAS ONLY. NEVER OPERATE THIS GENERATOR INDOORS. NEVER OPERATE THIS GENERATOR IN RAIN, SNOW, SLEET OR GENERALLY WET CONDITIONS. DAMAGE TO THE GENERATOR, BODILY INJURY, OR DEATH COULD RESULT FROM ELECTROCUTION.



**DANGER:** IF THIS GENERATOR IS CONNECTED TO A BUILDING, HOME, BUSINESS, OR ANY OTHER ELECTRICAL CIRCUIT NORMALLY FED BY UTILITY POWER, STEPS MUST BE TAKEN TO INSURE THE GENERATOR OUTPUT AND THE UTILITY POWER ARE POSITIVELY ISOLATED. THIS IS TYPICALLY ACCOMPLISHED THROUGH THE USE OF A PROPERLY INSTALLED TRANSFER SWITCH. FAILURE TO ISOLATE THE UTILITY AND GENERATOR ELECTRICAL SYSTEMS WILL RESULT IN GENERATOR DAMAGE AND COULD RESULT IN INJURY OR DEATH TO UTILITY WORKERS DUE TO THE BACKFEED OF ELECTRICITY.



**DANGER:** DO NOT MODIFY OR MISAPPLY YOUR GENERATOR SET. OPERATION OF THE GENERATOR OTHER THAN INTENDED COULD RESULT IN GENERATOR SET DAMAGE, BODILY INJURY OR EVEN DEATH FROM ELECTROCUTION.



**DANGER:** NEVER TOUCH A RECEPTACLE OR BARE WIRE. ELECTROCUTION OR SHOCK COULD RESULT.

### FIRE



**WARNING:** ALWAYS INSURE THAT AT LEAST 6 FEET OF CLEARANCE ON ALL SIDES OF THE GENERATOR ARE MAINTAINED DURING OPERATION. FAILURE TO MAINTAIN PROPER CLEARANCE COULD DAMAGE YOUR GENERATOR AND POTENTIALLY LEAD TO FIRES.



**WARNING:** DIESEL FUEL IS HIGHLY FLAMMABLE AND ITS VAPORS ARE EXPLOSIVE. FAILURE TO PROPERLY HANDLE DIESEL FUEL CAN RESULT IN EXPLOSION OR FIRE. DO NOT PERMIT SMOKING WITHIN 50FT OF THIS GENERATOR SET.



**WARNING:** NEVER REFILL A HOT GENERATOR WITH FUEL. NEVER REFILL THE GENERATOR WHILE IT IS RUNNING. SPILLAGE ONTO THE ENGINE OR GENERATOR COULD RESULT IN AN EXPLOSION OR FIRE. ALWAYS ALLOW THE GENERATOR SET TO COOL BEFORE REFILLING.



**WARNING:** DO NOT STORE THIS GENERATOR SET IN ANY LOCATION WHERE DIESEL FUEL FUMES COULD POTENTIALLY COME INTO CONTACT WITH SPARKS, A PILOT LIGHT OR AN OPEN FLAME. IMPROPER STORAGE OF THIS GENERATOR COULD RESULT IN AN EXPLOSION OR FIRE.

### EXHAUST GASES



**DANGER:** DO NOT OPERATE THIS GENERATOR WITHIN AN ENCLOSED AREA. THE EXHAUST GASES OF THIS GENERATOR EMIT “DEADLY” CARBON MONOXIDE. EXPOSURE TO CARBON MONOXIDE CAN CAUSE CARBON MONOXIDE POISONING, HEADACHES, NAUSEA, SEVERE SICKNESS OR DEATH.

### BURNS AND SCALDS



**CAUTION:** KEEP HANDS, BODY PARTS, HAIR AND CLOTHING AWAY FROM THE “HOT” PARTS OF THE GENERATOR SET DURING AND AFTER OPERATION. THE EXHAUST SYSTEM, AND THE GENERATOR IN GENERAL, CAN REMAIN VERY HOT EVEN AFTER BEING SHUT DOWN.

### ENVIRONMENTAL PROTECTION



**CAUTION:** INSPECT THE EXHAUST SYSTEM REGULARLY TO ENSURE IT IS FUNCTIONING PROPERLY. LEAKY EXHAUST SYSTEMS WILL INCREASE NOISE LEVELS.



**CAUTION:** DIRECT THE “LOUD” SIDES OF THE GENERATOR INTO OPEN SPACES AVOIDING REVERBERATION FROM WALLS OR BUILDINGS THUS AMPLIFYING THE SOUND.



**CAUTION:** INSPECT THE SPARK ARRESTOR PERIODICALLY. SPARK ARRESTORS ARE REQUIRED IN SOME AREAS AND MINIMIZE THE RISK OF FIRE FROM SPARKS EMMITTED FROM THE EXHAUST.



**CAUTION:** NEVER DRAIN OR DISPOSE OF ENGINE OIL INTO THE GROUND OR DOMESTIC WASTE WATER SYSTEMS.

### GENERAL SAFETY

Always follow National and Local electrical codes pertaining to generators. All local and national codes supersede rules or information provided in this manual.



**CAUTION:** DO NOT OPERATE THIS GENERATOR IF THE AMBIENT TEMPERATURE EXCEEDS 104°F/40°C.



**CAUTION:** DO NOT EXCEED THE RATED CAPACITY OF THE GENERATOR. THE TOTAL ELECTRICAL LOADS AT EACH OUTLET MUST BE ADDED TO DETERMINE THE TOTAL ELECTRICAL LOAD. THE TOTAL LOAD MUST NOT EXCEED THE RATED CAPACITY OF THE GENERATOR. IF THE DRIVEN APPARATUS DOES NOT LIST WATTAGE, BUT ONLY AMPERAGE, WATTAGE MAY BE DETERMINED BY MULTIPLYING AMPERAGE TIMES VOLTAGE (WATTS = AMPS X VOLTS).



**CAUTION:** DO NOT TAMPER WITH THE ENGINE-GOVERNED SPEED. THE GENERATOR OPERATES AT A NOMINAL SPEED OF 3600 RPM. INCREASES IN SPEED OVER THE 3600 RPM NOMINAL WILL INCREASE THE CHANCE OF PERSONAL INJURY DUE TO ROTATIONAL STRESSES ON THE ROTATING MEMBERS. OPERATION OF THE GENERATOR AT SPEEDS BELOW THE NOMINAL 3600 RPM COULD CAUSE DAMAGE TO THE GENERATOR OR DRIVEN APPARATUS DUE TO LOW VOLTAGE OUTPUT.



**WARNING:** REFER TO LOCAL AND NATIONAL ELECTRICAL CODES TO DETERMINE GROUNDING REQUIREMENTS AS THIS CAN VARY PER APPLICATION. THE GENERATOR IS GROUNDED INTERNALLY NEUTRAL TO FRAME. WHERE APPLICATIONS REQUIRE EXTERNAL GROUNDING, A CONNECTION MUST BE MADE FROM THE GENERATOR TO A SOLID EARTH GROUND. A CONTINUOUS LENGTH OF SPLICE-FREE COPPER CABLE, NO SMALLER THAN 6 AWG, SHALL BE USED FOR THE CONDUCTOR.

- When moving or transporting this generator, take proper precautions to avoid fuel spillage. Further, always use common sense when lifting this generator. An adequate number of people and proper lifting methods must be used.
- Do not cover the generator while it is running or immediately after shutdown. Always allow time to cool down before covering.
- Do not operate this generator unless it is in good mechanical and electrical condition.
- Always keep hands, body parts, hair and clothing well away from the rotating parts of the generator.
- Do not start this generator with connected devices turned “ON”. Always make sure that connected devices are disconnected from the generator or turned “OFF” before starting the generator.
- Generators operating on job or construction sites may be required to have GFCI (Ground Fault Circuit Interrupters) receptacles.
- Use only grounded extension cords in good condition and make sure that the wire size within the extension cords is of sufficient size to safely carry the surge output of the generator.
- Never handle extension cords or electrical circuits if standing in water or if standing in a damp area.

### BATTERY SAFETY



**WARNING:** STORAGE BATTERIES PRODUCE AND RELEASE EXPLOSIVE HYDROGEN GAS WHEN CHARGING. THE SLIGHTEST SPARK, FLAME OR BURNING ASH CAN IGNITE THESE GASES CAUSING A SERIOUS EXPLOSION THAT COULD RESULT IN BLINDNESS OR OTHER SERIOUS INJURIES. WEAR EYE PROTECTION, RUBBER APRON AND RUBBER GLOVES WHEN WORKING AROUND A BATTERY OR PERFORMING BATTERY SERVICE. BATTERY FLUID IS AN EXTREMELY CAUSTIC SULFURIC ACID, WHICH CAN CAUSE SEVERE BURNS. ALWAYS DISCONNECT THE NEGATIVE (-) BATTERY CABLE FROM THE BATTERY BEFORE PERFORMING BATTERY SERVICE OR BEFORE PERFORMING ANY ELECTRICAL SERVICE ON THE GENERATOR OR ENGINE.

## LIMITED WARRANTY FOR PRAMAC POWER SYSTEMS PRODUCTS

This warranty applies to generators, pressure washers, and water pumps commercialized by Pramac America, LLC in the USA and Canada. The warranty period begins from the date of purchase and is in effect for two (2) years or 1500 hours. Pramac will repair or replace, at its discretion, any parts determined to be defective under typical use by an authorized service provider or by Pramac. Pramac reserves the right to make the final decisions on all warranty approval.

The warranty does not apply to engines or other components specifically covered and administered by another manufacturer. The warranty period and requirements for approval are defined separately for these components and Pramac cannot determine warrantability in the event of a failure.

### Requirements:

1. Any and all warranty repairs and/or concerns, must be performed and/or addressed by an Authorized/Certified Pramac service center.
2. Proof of purchase must be provided that clearly defines date of purchase and the product model.
3. Warranty expenses may be limited by the approved rates and service schedule published to the service center network.
4. The warranty is not transferable, therefore, the claim must be made by the original owner.
5. Product must have been maintained according to published schedules using genuine service parts.

### The warranty does not cover:

1. Any unit built/manufactured prior to January 1, 2009.
2. Costs of normal maintenance or replacement/repair of normal wear parts.
3. Any failure caused by contaminated fuels, oils, or lack of proper fuels, oils.
4. Failures caused by any external cause or act of God such as, but not limited to, collision, fire, theft, freezing, vandalism, riot or wars, lightning, earthquake, windstorm, hail, volcanic eruption, water or flood, tornado, hurricane, terrorist acts or situations outside reasonably anticipated conditions.
5. Products that are modified or altered in a manner not authorized by Pramac in writing.
6. Failures due, but not limited to, normal wear and tear, accident, misuse, abuse, negligence, or improper application.
7. Any incidental, consequential or indirect damages caused by a warrantable or non-warrantable product failure.
8. Any costs relate to delay in repair or replacement of the defective part(s).
9. Telephone, fax, cell phone, or other communication expenses.
10. Rental equipment used while warranty repairs are being performed or required for any purpose related to a warranty repair.
11. Overtime, holiday, or emergency labor.
12. Any transport costs related to a warranty claim.
13. Any expenses incurred investigating performance complaints unless a warrantable failure was the direct cause of the problem.
14. Starting batteries, fuses, or light bulbs.
15. Overnight or other expedited freight costs related to deliver of parts used in warrantable repairs.

THIS WARRANTY IS IN PLACE OF ALL OTHER WARRANTIES, EXPRESSED OR IMPLIED. PRAMAC DOES NOT GUARANTEE THE PRODUCT FOR ANY SPECIFIC PURPOSE NOT CLEARLY STATED.

Any limitations not allowed by certain states may not apply to the purchaser, with specific rights varying from location to location.

## REGISTER YOUR PRODUCT

Register your Pramac generator online at [www.powermate.com](http://www.powermate.com).



## OPERATION

### INITIAL INSPECTION

Upon receiving your generator set, inspect the product to make sure it is complete and in good condition. Handle with care and place in a suitable site for storage or operation.

### GROUND CONNECTION

The generator can be grounded to earth to reduce the chance of electrical shock. To do this you will need a grounding rod and an appropriately sized copper ground wire. Drive the ground rod into the earth, connect one end of the copper wire to the rod and connect the other end to the external ground connection on the generator set. This is a general explanation, consult National and Local electrical codes to ensure compliance.

### BEFORE START-UP

#### ENGINE FUEL

Use only Diesel fuel with cetane value of more than 45. Check the fuel gauge beside the fuel fill and add as necessary.

#### ENGINE OIL

The engine manual or other information provided by the engine manufacturer supersedes data provided here. Proper oil grade varies with climate. The grade listed in the table is typically a good grade but consult the engine manual to verify proper grade. The oil fill ports are located on both sides of the engine. The gray filler cap has an integral dipstick. Add the proper amount of oil and check the level using the dipstick. NOTE: The dipstick should be placed into the filler opening but not screwed in to check the level.

ENGINE	HP	Oil Capacity	Grade
Yanmar L70	5.8	1.1 qt (1.0 l)	See manual
Yanmar L100	9.1	1.7 qt (1.6 l)	See manual

#### STARTING BATTERY (Electric Start Models Only)

The starting battery should be rated at 12V-34AH. The battery is fully charged if a voltage of 12.84VDC is measured across the terminals using a DC Voltmeter.

#### POSITIONING

- Place the generator set on a flat and solid surface to prevent it from sinking.
- The surface should not be more than 17° from horizontal in any direction for the engine to lubricate properly.
- Keep fuel, oil or other explosives at a safe distance from the generator set.
- Select a site that is well ventilated and protected from the weather.
- Place the generator set safely away from people and animals.

### OPERATION

Check the engine oil before each use. Never operate the generator set with insufficient oil.

#### GENERATOR SET OVERLOAD

Do not exceed the rated load of the generator set when operating continuously. Before connecting items to the generator set, determine the total electrical requirements of the products to be connected. The requirement of each item is generally given on the manufacturer's nameplate. Below is a list of commonly used items and typical requirements. Use this list as a guideline only if no other data is available.

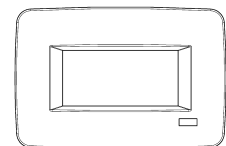
GENERAL WATTAGE GUIDE	
Item	Running Watts
Air Conditioner (12000 Btu) (*)	1750
Air Compressor (1/2 hp) (*)	1400
Air Compressor (3/4 hp) (*)	1800
Air Compressor (1 hp) (*)	2000
Battery Charger (25A)	.600
Belt Sander (3" belt)	.1000
Circular Saw (7 1/4")	825-1050
Coffee Maker	900-1100
Edger (lawn)	.550
Furnace Fan (1/3 hp) (*)	.1200
Hot Plate (single)	.1500
Impact wrench	.600
Light Bulb	Bulb rating
Nail Gun	.1200
Microwave	.750
Paint Sprayer (1/3 hp) (*)	.650
Paint Sprayer, hand-airless	.175
Radio	.50-200
Refrigerator (*)	.600
Table Saw (10") (*)	.2000
Television	.250-550
Weed Trimmer	.500

Note: (\*) Items allow at least 3 times the listed wattage for starting.

NOTE: Many appliances such as saws or drills draw more current than indicated on the manufacturer's nameplate when under severe load.

#### DIGITAL HOUR METER

- Press and release mode button to toggle between **Total Timer** and **Timer 1 (TMR1)**.
- Total Timer** displays and records the total hours your generator has run. **Total Timer** is not resettable.
- Timer 1** can be used to track operating hours for service intervals. **Timer 1** is resettable by holding the mode button down for 3 seconds while **TMR1** is displayed.



HOUR METER  
HOROMÈTRE  
CONTADOR HORARIO



## STARTING THE GENERATOR SET

Before attempting to start the generator set, ensure that all instructions given in previous sections have been followed completely.

- Check oil and fuel levels.
- Turn the fuel valve under the fuel tank on.
- Turn the fuel valve on the front of the engine on, where applicable.
- Turn idle-control On/Off switch OFF where applicable.

## RECOIL START

- Move engine On/Off switch to On position.
- Slowly pull recoil cord until resistance is felt, push the red lever on the top of the engine, and then pull firmly. Let the recoil rewind slowly to avoid damage.

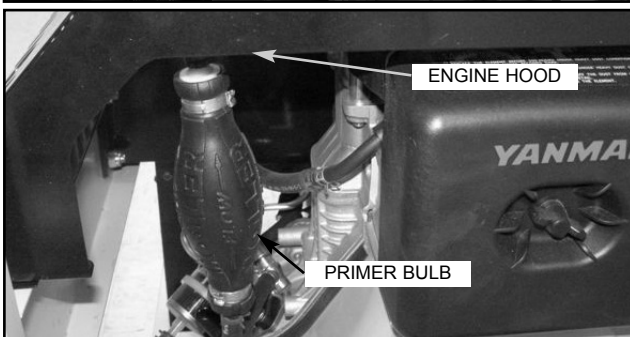
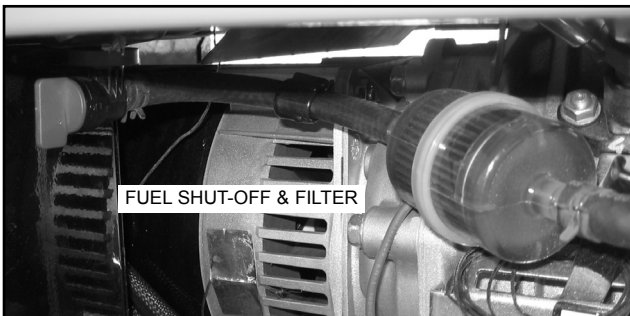
## ELECTRIC START

- Move engine On/Off switch to On position.
- Push and hold the On/Off switch in the Start position until the engine starts and release. Note: If the engine does not start after 5 seconds, stop and wait 10 seconds and repeat this step.

## PRIMING PROCEDURE

This procedure may be required for the initial start or subsequent starts, if the fuel runs out, or if air is in the fuel system.

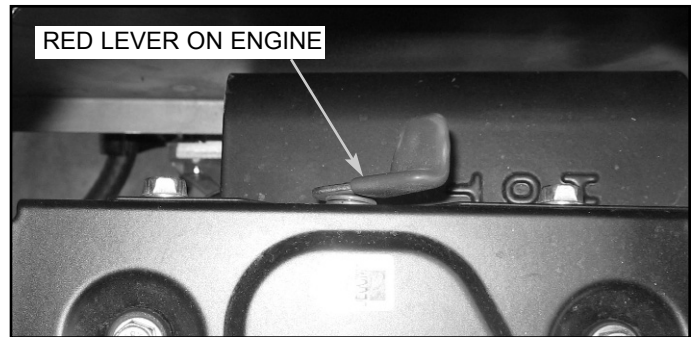
1. Fill the tank completely with DIESEL fuel.
2. Open the fuel shut-off valve under the tank.
3. Pump the primer bulb under the engine hood 2-3 times.
4. Watch for the fuel filter to be completely filled with diesel with no air inside.
5. Crank the engine by pressing the start switch or pulling the recoil.



For Extremely Hard or Recoil Starting, it may be necessary to follow Steps 6 & 7.

6. Push the red lever on the top of the engine for 3-4 seconds while pushing the start switch, cranking the engine.

7. Release the red lever still keeping the start switch in the start position for another 2-3 seconds.
8. If the engine doesn't start, repeat the procedure (it means the filter is not completely filled with diesel and still has air inside).



## VOLTAGE SELECTOR GUIDE (applicable models)

The voltage selector switch allows the generator set to produce 120 volts only or to produce 120/240 volts simultaneously. With the switch in the 120V position only the 120V receptacles may be used. All of the power from the generator is available at 120 volts but the 240V output is not available. In the 120/240V position all receptacles are operable however only half of the generator output is available at any one 120V receptacle. Full power may be pulled from the generator from the 240V receptacle. The switch should always be left in the 120V position when 240 volts are not needed. This balances the load on the generator more effectively.

## STOPPING THE GENERATOR SET

Unplug all appliances and let the engine run unloaded for a couple of minutes. Turn the engine On/Off switch to the Off position. Turn the fuel valve on the bottom of the fuel tank Off.

## GENERATOR APPLICATION

### WHAT IS A GENERATOR

A generator is basically a prime mover, typically a gasoline or diesel engine, coupled to an alternator to produce electricity. It is very useful as a substitute power source during power outages or as the primary source in remote locations where power is not available. Generators are essential for people such as contractors or farmers who are always in need of portable power. They are also very convenient for recreational use.

### SELECTING A GENERATOR

Selecting the proper generator is important. A generator that is too small for your application will not run all of the equipment needed. A generator that is too large will cost more and if never used to its potential the money is wasted. The correct size generator is determined by totaling the wattage requirements of the items to be used simultaneously, determine additional starting wattage requirements and total these numbers. Select a generator with a continuous rating that exceeds this by about 20% to allow for expansion. See the table in the section titled "Generator Set Overload" for some wattage guidelines of common equipment.

## RATED vs. SURGE WATTS

**Rated**, or continuous, watts are the watts an item needs as it is running.

**Surge**, or maximum, watts are the watts an item needs to start. This is typically 2-4 times the rated watts.

This information is typically provided on the manufacturer's nameplate. If watts are not provided, it can be calculated using the formula: Watts=Amps x Volts.

## EXTENSION CORDS

An extension cord should always be in good condition with no damage to the wires or sheathing. Never run an extension cord through water. The correct wire size for an extension cord can be determined from the table that follows.

Continuous Load	Minimum Cord Gauge (AWG)		
	0-50 Feet	50-100 Feet	100-150 Feet
Amps			
20	12	10	8
25	12	10	6
30	10	8	6
35	10	8	4
40	8	6	2
50	6	4	2

## LOADING YOUR GENERATOR SET

With reference to the Receptacle details section, please review the power receptacles fitted to your generator. The circuit breaker rating and the generator rating drive the actual load that may be pulled from each receptacle. The ratings shown in the table are the maximum available from each receptacle. **DO NOT EXCEED THE INDIVIDUAL RECEPTACLE RATINGS AS SHOWN IN THE TABLE BELOW. DO NOT EXCEED THE TOTAL GENERATOR RATING SHOWN IN TABLE 2 PERFORMANCE SPECIFICATIONS.** All generator units are equipped with a magnetic main circuit breaker.

## AMPERAGE RATE TABLE

Model	Cont. Watts	Surge Watts
E3750	3600 Watts 30/15 Amps	3700 Watts 30.8/15.4 Amps
S5500	5000 Watts 41.7/20.8 Amps	5500 Watts 45.8/22.9 Amps

## RECEPTACLE DETAILS

The receptacles shown in this section are for reference only. Each receptacle is not available on all generators.



NEMA 5-20R  
125V - 20A



NEMA L5-30R  
125V - 30A



NEMA L6-30R  
250V - 30A



NEMA L6-20R  
250V - 20A



NEMA 14-50R  
125/250V - 50A



NEMA L14-20R  
125/250V - 20A



NEMA L14-30R  
125/250V - 30A

## ENGINE LIMITATIONS ON GENERATOR PERFORMANCE

Generator ratings assume 60°F (20C) and Sea Level. Operation of your generator at temperatures above 60°F (20C) or above Sea Level will result in lower electrical output. Electrical output must be derated 1% for each 10°F above 60°F and 3 ½ % for each 1000 feet above mean sea level.

## GENERATOR CLEANING



**CAUTION:** ALWAYS SHUT DOWN THE GENERATOR AND ALLOW IT TO COOL COMPLETELY BEFORE PERFORMING CLEANING OPERATIONS.



**WARNING:** DO NOT USE HIGH PRESSURE WATER OR A GARDEN HOSE TO CLEAN YOUR GENERATOR. WATER INTRODUCED INTO THE GENERATOR CAN CAUSE ELECTRICAL SHORTS, GENERATOR DAMAGE OR PERSONAL INJURY.

- Compressed air (max. 25 psi) may be used to blow loose dirt and dust from your generator. **DO NOT DIRECT COMPRESSED AIR DIRECTLY INTO ANY OPENING IN THE GENERATOR OR ENGINE.**
- Use a dampened cloth to wipe clean exterior surfaces.
- Use a soft bristle brush to clean/ loosen heavy dirt, oil or grease deposits.
- NEVER** insert rags, tools or any device into the generator or engine openings.

## GENERAL STORAGE GUIDELINES



**WARNING:** DIESEL FUEL FUMES ARE FLAMMABLE. **DO NOT STORE YOUR GENSET IN ANY AREA THAT IS INDOOR OR IN POORLY VENTILATED AREAS.** DIESEL FUEL FUMES CAN IGNITE IN THE PRESENCE OF ANY OPEN FLAME, PILOT LIGHT, CLOTHES DRYER, WATER HEATER, ETC.

- Your generator should be started and operated for several minutes at least every 30 days.
- If the generator cannot be operated every 30 days, follow the storage recommendations within the engine documentation.
- NOTE:** A fuel shut-off valve is positioned at the base of the fuel tank. The valve should be closed during storage periods.

## GENERAL MAINTENANCE

### OIL SELECTION

Proper oil selection as well as proper oil level is critical to achieve maximum engine life. Use high detergent, premium quality motor oil certified for service class CC or CD that should be designated on the container. SAE 20W-40 is recommended for general, all temperature use. Use the table below to select the proper oil for the temperature in your area.

Viscosity		-30C/-22F	-20C/-4F	-10C/14F	0C/32F	10C/50F	20C/68F	30C/86F	40C/104F
Single	10W		██████████	██████████	██████████				
	20W			██████████	██████████	██████████			
	20				██████████	██████████			
	30					██████████	██████████	██████████	
	40							██████████	██████████
Multi	20W-40, 20W-50			██████████	██████████	██████████	██████████	██████████	██████████
	15W-40, 15W-50			██████████	██████████	██████████	██████████	██████████	██████████
	10W-40			██████████	██████████	██████████	██████████	██████████	██████████
	10W-30			██████████	██████████	██████████	██████████	██████████	██████████

### DAILY INSPECTION

1. Recoil Starter Cord
2. Engine Oil Level
3. Check for Engine Oil or Fuel Leaks
4. Inspect Spark Plug Cables
5. Inspect Cooling System for Cleanliness
6. Listen for Abnormal Noise
7. Look for Abnormal Vibration

### FAULT FINDING GUIDE

SYMPTOMS	PROBABLE CAUSES	CORRECTION
ENGINE WILL NOT START	<ol style="list-style-type: none"> <li>1. Oil level too low.</li> <li>2. No fuel or valve(s) turned off.</li> <li>3. Start switch turned Off.</li> <li>4. Blocked or leaking fuel system.</li> <li>5. Clogged air filter.</li> <li>6. Genset under load at start-up.</li> </ol>	<ol style="list-style-type: none"> <li>1. Add oil.</li> <li>2. Add fuel and/or turn valve(s) on.</li> <li>3. Turn switch On.</li> <li>4. Repair fuel system.</li> <li>5. Clean or replace air filter.</li> <li>6. Disconnect load.</li> </ol>
NO POWER OUTPUT	<ol style="list-style-type: none"> <li>1. Circuit breaker tripped.</li> <li>2. GFCI receptacle tripped.</li> <li>3. Faulty circuit breaker.</li> <li>4. Faulty receptacle.</li> <li>5. Faulty capacitor in alternator.</li> <li>6. Faulty diodes in alternator.</li> <li>7. Failure in alternator windings.</li> </ol>	<ol style="list-style-type: none"> <li>1. Reset circuit breaker.</li> <li>2. Reset GFCI receptacle.</li> <li>3. Replace circuit breaker.</li> <li>4. Replace receptacle.</li> <li>5. Replace capacitor.</li> <li>6. Replace diodes.</li> <li>7. Repair or replace alternator.</li> </ol>
NOISY MACHINE	<ol style="list-style-type: none"> <li>1. Damaged bearing.</li> <li>2. Damaged exhaust system.</li> <li>3. Loose or rattling parts.</li> </ol>	<ol style="list-style-type: none"> <li>1. Replace bearing.</li> <li>2. Repair or replace.</li> <li>3. Repair loose or rattling parts.</li> </ol>
OVERHEATING	<ol style="list-style-type: none"> <li>1. Ventilation openings blocked.</li> <li>2. Overload.</li> <li>3. Ambient temperature too high.</li> </ol>	<ol style="list-style-type: none"> <li>1. Clear ventilation openings.</li> <li>2. Verify load levels.</li> <li>3. Provide better ventilation for cooling.</li> </ol>
CIRCUIT BREAKER TRIPS	<ol style="list-style-type: none"> <li>1. Overloaded circuit.</li> <li>2. Faulty equipment or cable.</li> <li>3. Faulty circuit breaker.</li> </ol>	<ol style="list-style-type: none"> <li>1. Reduce load.</li> <li>2. Check, repair or replace.</li> <li>3. Replace circuit breaker.</li> </ol>

---

## PARTS ORDERING

### **GENERAL**

This publication, which contains an illustrated parts breakdown, has been prepared as an aid in locating those parts which may be required in the maintenance of the unit. All of the parts listed in the parts breakdown are manufactured with the same precision as the original equipment. For the greatest protection always insist on genuine Pramac America parts for your generator.

**NOTE:** Pramac America, LLC can bear no responsibility for injury or damages resulting directly from the use of nonapproved repair parts.

Special order parts may not be included in this manual. Contact the local Pramac Parts provider with the unit serial number for assistance with these special parts.

### **DESCRIPTION**

The parts breakdown illustrates and lists the detailed parts which make up this particular machine. This covers the standard models and the more popular options that are available. The part number, the description of the part and the quantity of parts required are shown on each illustration.

The quantities specified are the number of parts used per one assembly and are not necessarily the total number of parts used in the machine. Where no quantity is specified the quantity is assumed to be one.

Each description of a part is based upon the "noun first" method, i.e., the identifying noun or item name is always the first part of the description. The noun name is generally followed by a single descriptive modifier. The descriptive modifier may be followed by words or abbreviations such as upper, lower, inner, outer, front, rear, RH, LH, etc. when they are essential.

### **MARKINGS AND DECALS**

**NOTE:** Do not paint over safety warnings or instructional decals. If safety warning decals become illegible, immediately order replacements from the factory.

Part numbers for original individual decals and their mounting locations are shown within Parts List Section. These are available as long as a particular model is in production. Afterwards, service sets of exterior decals and current production safety warning decals are available.

### **HOW TO USE PARTS LIST**

- Turn to Parts List Section.
- Locate the area of the machine in which the desired part is used and find illustration.
- Locate the desired part on the illustration by visual identification and make note of part number and description.

### **HOW TO ORDER**

The satisfactory ordering of parts by a purchaser is greatly dependent upon the proper use of all available information. By supplying the nearest sales office, autonomous company or authorized distributor, with complete information, you will enable them to fill your order correctly and to avoid any unnecessary delays. In order that all avoidable errors may be eliminated, the following instructions are offered as a guide to the purchaser when ordering replacement parts:

- Always specify the model number of the machine.
- Always specify the serial number of the unit. THIS IS IMPORTANT.
- Always specify the number of the parts list publication.
- Always specify the quantity of parts required.
- Always specify the part number, as well as the description of the part, or parts, exactly as it is given on the parts list illustration.

---

In the event parts are being returned to your nearest sales office, autonomous company or authorized distributor, for inspection or repair, it is important to include the serial number of the unit from which the parts were removed.

**TERMS AND CONDITIONS ON PARTS ORDERS**

**Acceptance:** Acceptance of an offer is expressly limited to the exact terms contained herein. If purchaser's order form is used for acceptance of an offer, it is expressly understood and agreed that the terms and conditions of such order form shall not apply unless expressly agreed to by Pramac America, LLC ("Company") in writing. No additional or contrary terms will be binding upon the Company unless expressly agreed to in writing.

**Taxes:** Any tax or other governmental charge now or hereafter levied upon the production, sale, use or shipment of material and equipment ordered or sold is not included in the Company's price and will be charged to and paid for by the Purchaser. Shipping dates shall be extended for delays due to acts of God, acts of Purchaser, acts of Government, fires, floods, strikes, riot, war, embargo, transportation shortages, delay or default on the part of the Company's vendors, or any other cause beyond the Company's reasonable control.

Should Purchaser request special shipping instruction, such as exclusive use of shipping facilities, including air freight when common carrier has been quoted and before change order to purchase order can be received by the Company, the additional charges will be honored by the Purchaser.

**Warranty:** The Company warrants that parts manufactured by it will be as specified and will be free from defects in materials and workmanship.

The Company's liability under this warranty shall be limited to the repair or replacement of any part which was defective at the time of shipment provided Purchaser notifies the Company of any such defect promptly upon discovery, but in no event later than three (3) months from the date of shipment of such part by the Company.

The only exception to the previous statement is the extended warranty as it applies to the special aircend exchange program.

Repairs and replacements shall be made by the Company F.O.B. point of shipment. The Company shall not be responsible for costs of transportation, removal or installation.

Warranties applicable to material and equipment supplied by the Company but wholly manufactured by others shall be limited to the warranties extended to the Company by the manufacturer which are able to be conveyed to the Purchaser.

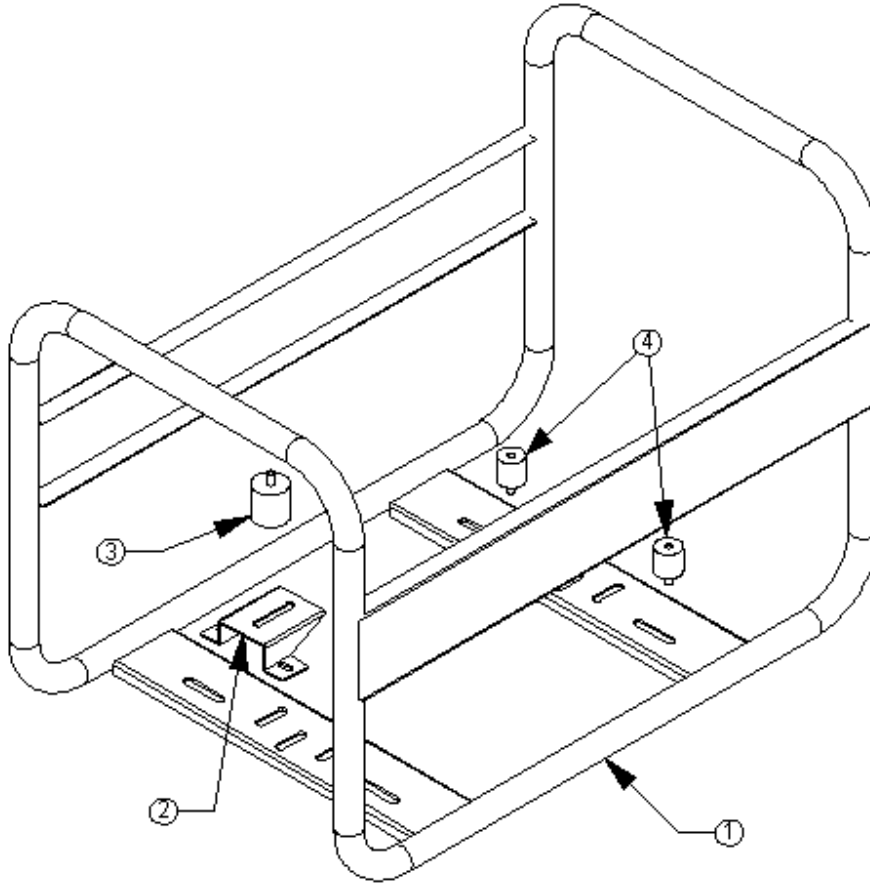
**Delivery:** Shipping dates are approximate. The Company will use best efforts to ship by the dates specified; however, the Company shall not be liable for any delay or failure in the estimated delivery or shipment of material and equipment or for any damages suffered by reason thereof.

This company makes no other warranty or representation of any kind whatsoever, expressed or implied, except that of title, and all implied warranties, including any warranty of merchantability and fitness for a particular purpose, are hereby disclaimed.

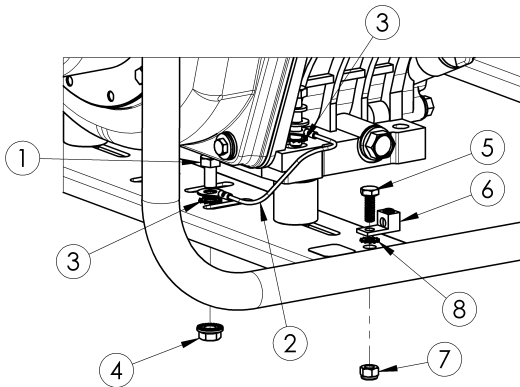
**PLEASE READ THE FOLLOWING CAREFULLY**

THE MANUFACTURER AND/OR DISTRIBUTOR HAS PROVIDED THE PARTS AND WIRING DIAGRAM(S) IN THIS MANUAL AS A REFERENCE TOOL ONLY. NEITHER THE MANUFACTURER NOR DISTRIBUTOR MAKES ANY REPRESENTATION OR WARRANTY OF ANY KIND TO THE BUYER THAT HE OR SHE IS QUALIFIED TO MAKE ANY REPAIRS TO THE PRODUCT OR THAT HE OR SHE IS QUALIFIED TO REPLACE ANY PARTS OF THE PRODUCT; IN FACT THE MANUFACTURER AND/OR DISTRIBUTOR EXPRESSLY STATES THAT ALL REPAIRS AND PARTS REPLACEMENTS SHOULD BE UNDERTAKEN BY CERTIFIED AND LICENSED TECHNICIANS AND NOT BY THE BUYER. THE BUYER ASSUMES ALL RISK AND LIABILITY ARISING OUT OF HIS OR HER REPAIRS TO THE ORIGINAL PRODUCT OR REPLACEMENT PARTS THERETO, OR ARISING OUT OF HIS OR HER INSTALLATION OF REPLACEMENT PARTS THERETO. PARTS MY CHANGE OR VARY FROM THOSE SHOWN.

**SECTION 2 - E3750 PARTS DRAWING AND PARTS LIST**



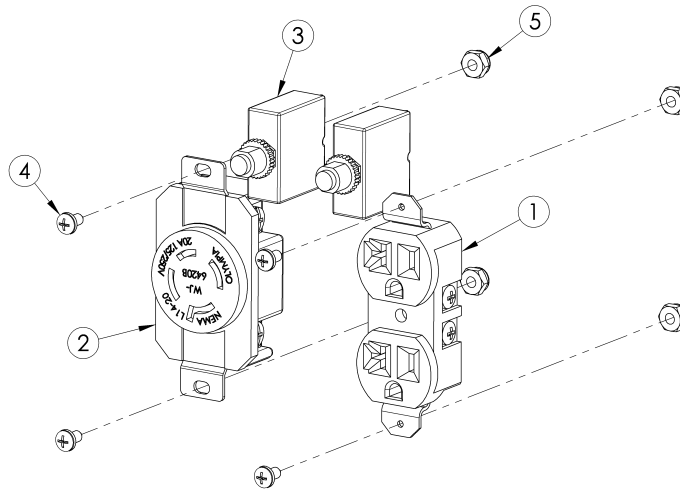
ITEM	QTY.	PART. NO	DESCRIPTION
1	1	V72360100-	C omplete Frame
2	1	VAB425-	Alternator Bracket
3	1	G052120	Silent-Block cil. MF-40x40-M8x14-M8-45
4	2	G052113	Silent-Block cil. MF-30x30-M8x15-M8-45



**GROUND ASSEMBLY**

ITEM	QTY	PART NO.	DESCRIPTION
1	1	0049268	BOLT HH M8-1.25 X 16MM
2	1	0049224	WIRE, GROUND
3	2	0049234	WASHER STAR 5/16 EXT
4	1	0062567	NUT M8 SERRATED HEX FLANGE
5	1	0012526	BOLT HH 1/4-20 X .75
6	1	0008854	LUG, GROUND
7	1	0040832	NUT NYLOC 1/4-20
8	1	0049073	WASHER STAR 1/4 EXT

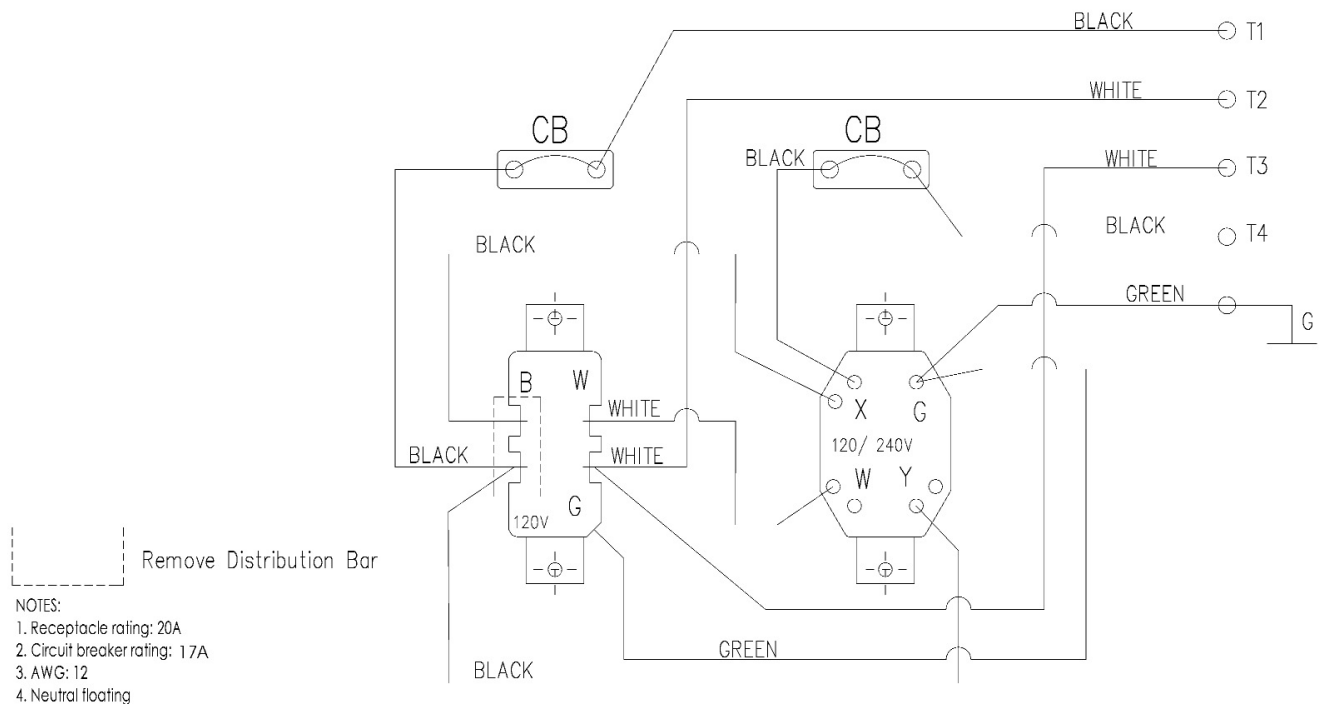
## SECTION 2 - E3750 PARTS DRAWING AND PARTS LIST



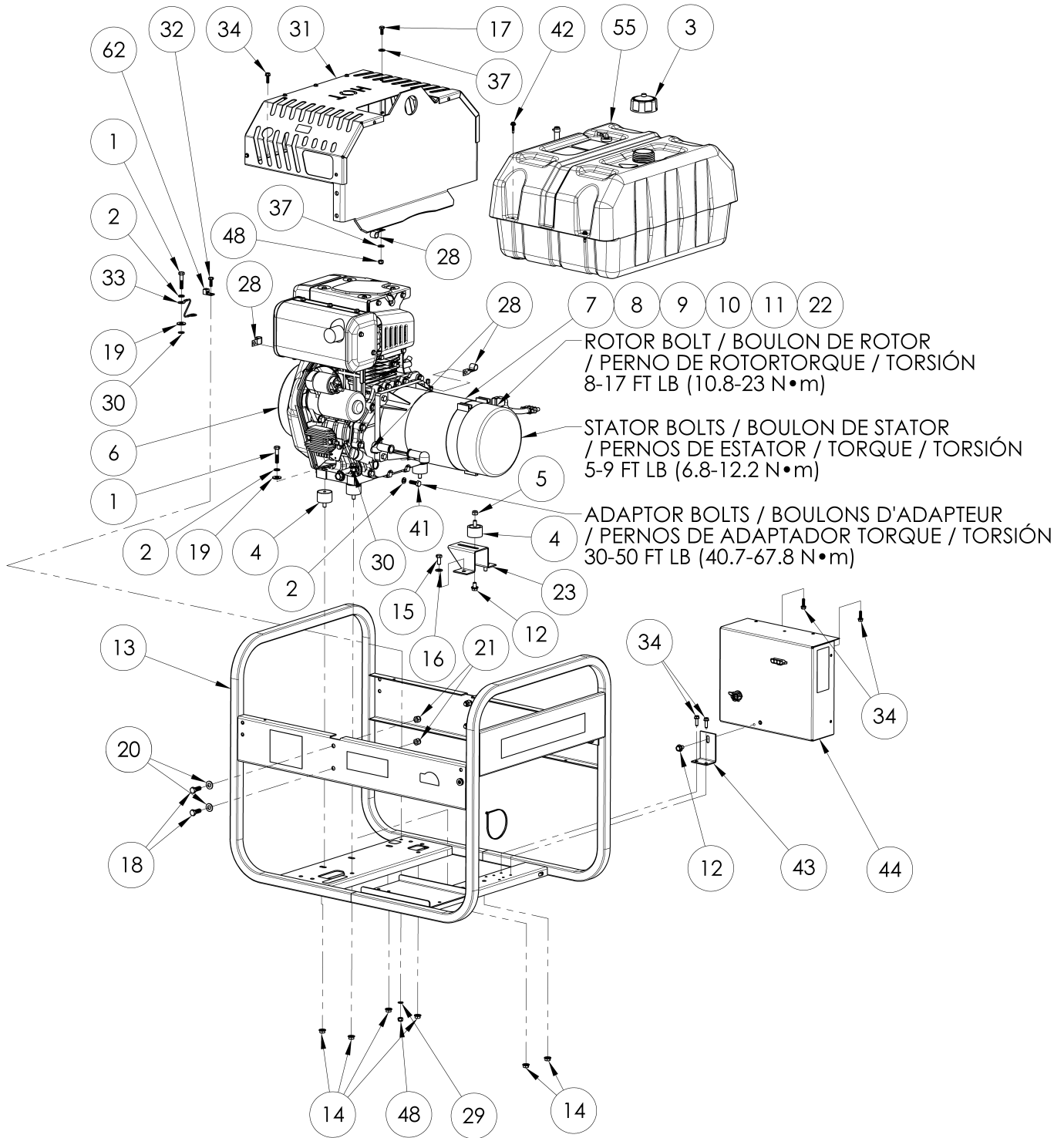
ITEM	QTY	P/N	DESCRIPTION
1	1	0037762.01	RECEPTACLE 5-20R
2	1	0049158	RECEPTACLE L14-20R
3	2	0067877	CIRCUIT BREAKER 17A
4	4	*	SCREW CRPH #08-32 X .38
5	4	*	NUT, NYLOC #08-32 ZP

\* THESE ARE STANDARD PARTS AVAILABLE AT YOUR LOCAL HARDWARE STORE

### E3750 A.C. WIRING SCHEMATIC



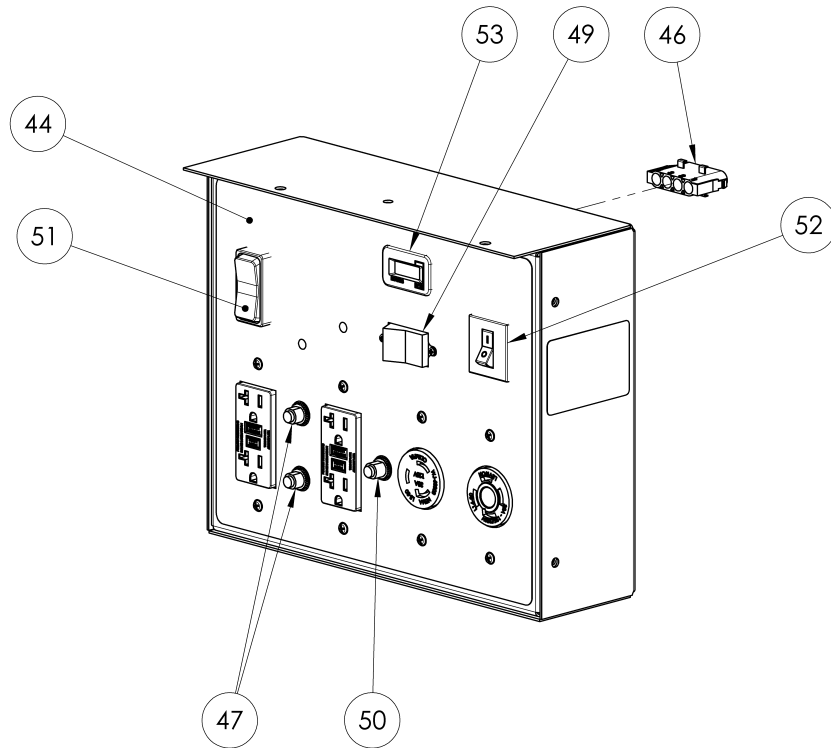
**PARTS DRAWING / SCHEMA DES PIÈCES / DIAGRAMA DE PIEZAS**



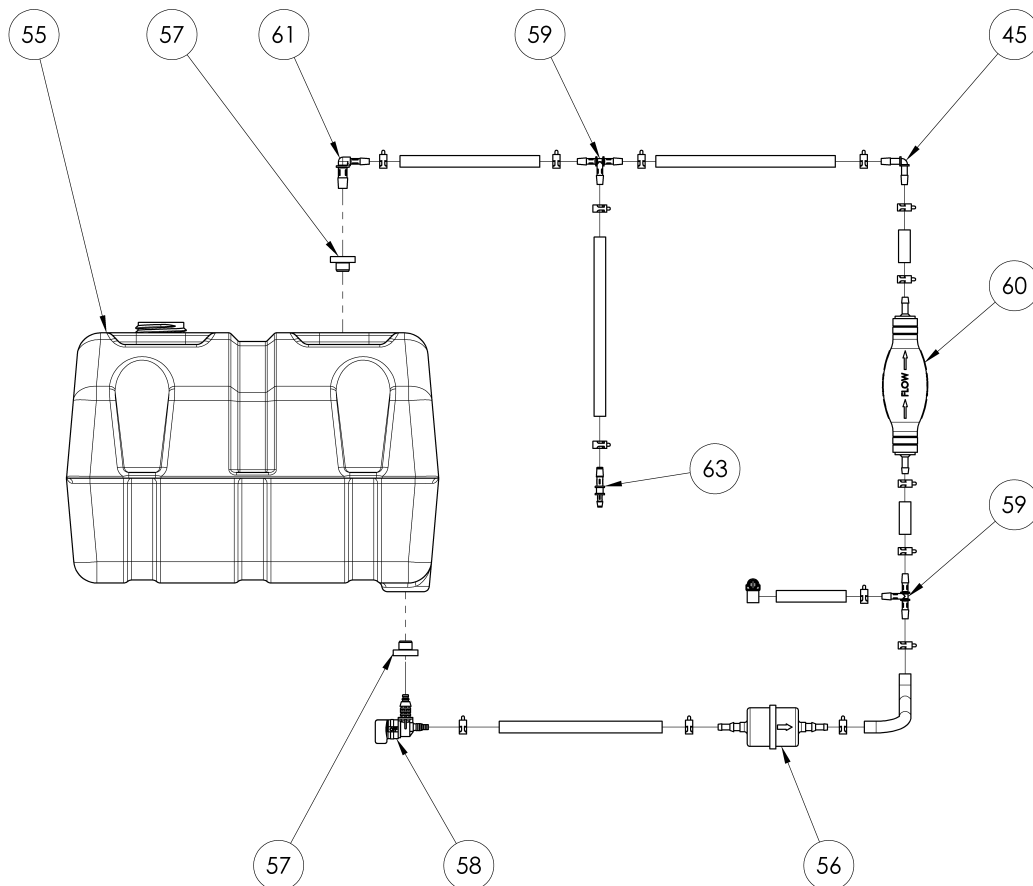
**PD542MYA005**



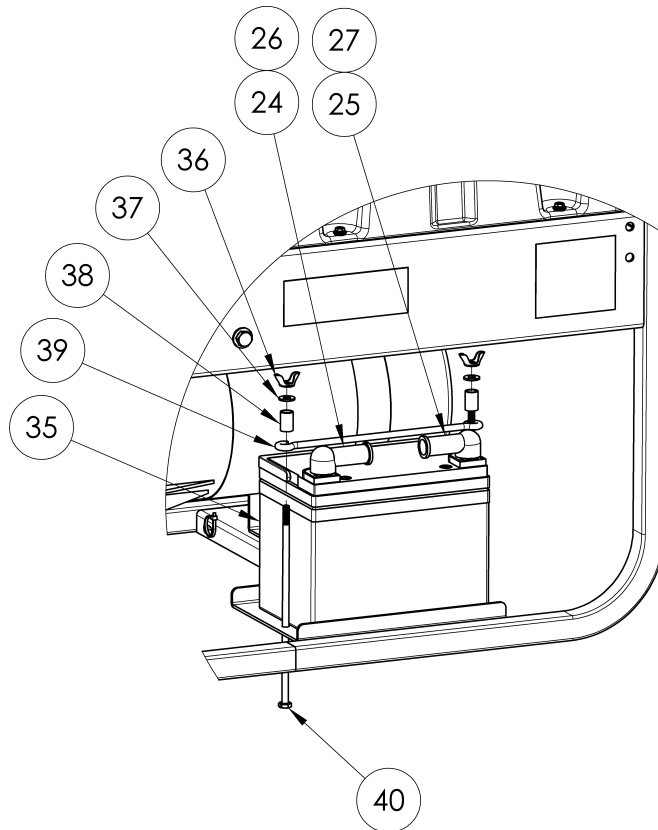
**CONTROL PANEL ASSEMBLY / ENSEMBLE DE TABLEAU DE COMMANDE /  
CONJUNTO DE PANEL DE CONTROL**



**FUEL TANK ASSEMBLY / ENSEMBLE COMPLET DU RÉSERVOIR /  
CONJUNTO DE TANQUE**



## BATTERY INSTALLATION / INSTALLATION DE LA BATTERIE / INSTALACION DE BATERIA



**Note A:** Pramac America, LLC will not provide engines as replacement parts. Engines are covered through the engine manufacturer's warranty. Consult the accompanying engine manual or contact our service department for assistance.

**Note B:** These are standard parts available at your local hardware store.

**Note C:** Contact your nearest Pramac Service Center for replacement fuel tanks.



**WARNING:** To avoid possible personal injury or equipment damage, a registered electrician or an authorized service representative should perform installation and all service. Under no circumstances should an unqualified person attempt to wire into a utility circuit.

**Remarque A:** Pramac America, LLC ne fournit pas de moteurs dans ses pièces détachées. Les moteurs sont couverts par la garantie du fabricant de moteurs. Consulter le manuel du moteur inclus ou contacter notre département de service après-vente pour toute assistance.

**Remarque B:** Ces pièces sont des pièces standard disponibles en quincaillerie.

**Remarque C:** Pour commander un réservoir de rechange, contacter Centre de service Powermate® le plus proche.



**AVERTISSEMENT:** Pour éviter toute blessure personnelle ou dommage à l'équipement, l'installation et tout entretien devraient être effectués par un électricien qualifié ou un préposé au service autorisé. En aucun cas, une personne non-qualifiée ne devrait essayer de faire le raccord au circuit principal.

**Nota A:** Pramac America, LLC no proporcionará los motores como repuestos. Los motores están cubiertos por medio de la garantía del fabricante del motor. Consulte el manual adjunto del motor o comuníquese con nuestro departamento de servicio para recibir ayuda al respecto.

**Nota B:** Estas son piezas estándar disponibles en su ferretería local.

**Nota C:** Para hacer pedidos de tanques, localice el Centro de Servicio de Pramac más cercano.

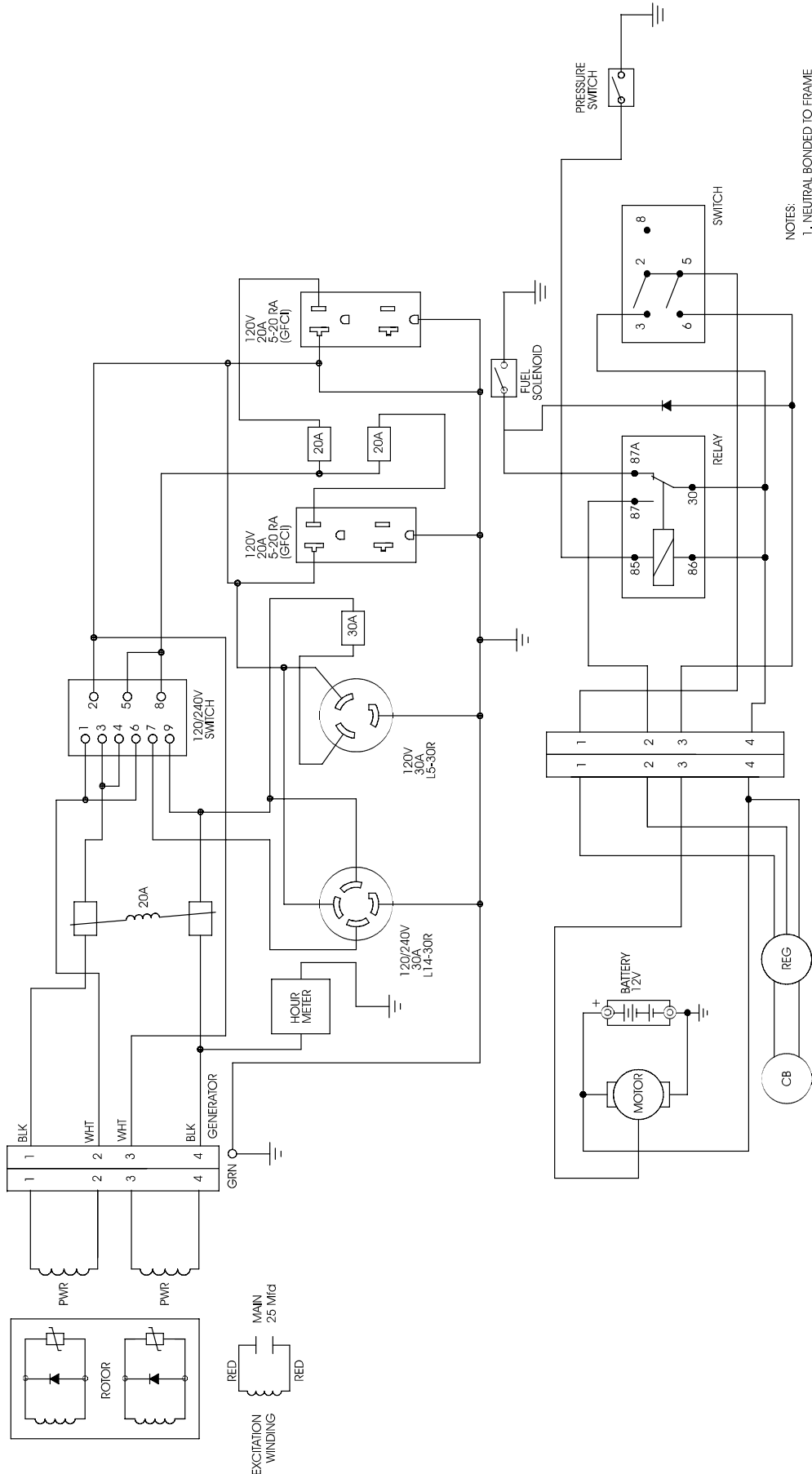


**ADVERTENCIA:** Para evitar posibles lesiones físicas o daños materiales, es necesario que la instalación y todo el servicio sea realizado por un electricista matriculado o representante de servicio autorizado. Bajo ninguna circunstancia debe permitirse que una persona que no está capacitada trate de manipular cables dentro del circuito de servicio eléctrico.

**PARTS LIST / LISTE DES PIÈCES / LISTA DE PIEZAS**

REF. NO.	PART NO.	DESCRIPTION	DESCRIPTION	DESCRIPCION	QTY
1	Note B	Bolt HH 5/16-18 x 1.5	Boulon	Perno	4
2	Note B	Washer, lock 5/16	Contre-écrou	Arandela, de cierre	8
3	0056677	Cap Fuel	Capuchon de carburant	Tapa combustible	1
4	0051094	Isolator	Sectionneur	Aislador	5
5	0048736	Nut Nyloc 5/16-18	Écrous nyloc	Tuerca, nyloc	1
6	Note A	Engine Yanmar L100V	Moteur	Motor	1
7	AMM6000RB0000Z	Alternator Mecc Alte	Alternateur	Alternador	1
8	PAM0390302209	Bracket, non drive end	Flasque arriere	Tapa posterior	1
9	PAM0391700136	Bracket, drive end	Flasque avant	Tapa anterior	1
10	PAM0392000015	Fan	Ventilateur	Ventilador	1
11	G70113	Capacitor 25uf	Condensateur	Condensador	1
12	0049279	Bolt Whz 5/16-16 x .50	Boulon	Perno	2
13	0067989	Carrier assembly, full	Ensemble transport	Transportador, conjunto	1
14	0057254	Nut, hex flg 5/16-18	Écrous 5/16-18	Tuerca, 5/16-18	6
15	Note B	Bolt HH 5/16-18 x .75	Boulon	Perno	2
16	Note B	Washer, flat 5/16	Rondelle plate	Arandela plana	2
17	Note B	Bolt HH 1/4-20 x .63	Boulon	Perno	1
18	Note B	Bolt HH 3/16 x 1	Boulon	Perno	4
19	0049352	Washer, flat 5/16 W	Rondelle plate 5/16 large	Arandela, plana 5/16 lejos	4
20	Note B	Washer, flat 3/8	Rondelle plate 3/8	Arandela, plana 3/8	4
21	0057578	Nut Nyloc 3/8-16	Écrous nyloc	Tuerca, nyloc	4
22	0067646	Lid, terminal box	Couvercle	Tapa	1
23	0067443	Bracket, stator	Support, stator	Soporte, estator	1
24	0063965	Cover, battery post red	Couvercle, rouge	Tapa, rojo	1
25	0067520	Cover, battery post blk	Couvercle, noir	Tapa, negro	1
26	0006254	Assy Wire Red 8ga 17.25	Fil rouge	Alambre rojo	1
27	0006253	Assy Wire Blk 8ga 17.25	Fil noir	Alambre negro	1
28	0052931	Clamp, Vinyl J 1/2"	Collier	Abrazadera	4
29	Note B	Washer, star ext 1/4	Rondelle à dents externa	Arandela, estrella	1
30	Note B	Washer, star ext 5/16	Rondelle à dents externa	Arandela, estrella	2
31	0068025	Assy, engine cover	Ensemble, couvercle de moteur	Conjunto, cobertura de motor	1
32	Note B	Bolt HH 1/4-20 x .75	Boulon	Perno	1
33	0049224	Assembly, ground wire	Ensemble, fil de mise à la terre	Conjunto, câble de tierra	1
34	GU0151	Screw, M6 x 20 TF	Vis M6 x 20	Tornillo, M6 x 20	6
35	0064318	Battery 12V 34AH	Batterie	Bateria	1
36	Note B	Nut, wing 1/4-20	Écrous	Tuerca	2
37	Note B	Washer, flat 1/4	Rondelle plate	Arandela plana	2
38	0047796	Spacer .38 ID	Entretoise	Espaciador	2
39	0036525.02	Bracket, battery hold-down	Barre de retenue	Barra sujetadora	1
40	0035170	Bolt HH 1/4-20 x 8	Boulon	Perno	2
41	0064544	Bolt HH M8-1.25 x 25	Boulon M8-1.25 x 25	Perno M8-1.25 x 25	4
42	0058618	Screw #10 x 1	Vis	Tornillo	4
43	0067508	Bracket, control panel	Support, Tableau	Soporte, panel	1
44	0067992	Panel, wired complete	Tableau complet câblé	Panel, abeado completo	1
45	0067981	Connector 90°	Connecteur 90°	Conector 90°	1
46	0062797	Connector, panel	Connecteur, tableau	Conector, panel	1
47	0049071	Circuit Breaker 20 amp	Disjoncteurs 20 amp	Cortacircuitos 20 amp	2
48	0040832	Nut Nyloc 1/4-20	Écrous nyloc	Tuerca, nyloc	2
49	G075240	Switch, rocker 120V full pwr	Interrupteur	Interruptor	1
50	0049382	Circuit Breaker 30 amp	Disjoncteurs 30 amp	Cortacircuitos 30 amp	2
51	0067612	Switch, momentary	Interrupteur	Interruptor	1
52	0062198	Circuit breaker 20A dual	Disjoncteurs 20 amp	Cortacircuitos 20 amp	1
53	0069300	Hour meter	Horomètre	Contador Horario	1
54	0067559	Relay 12V	Relais 12V	Relevo 12V	1
55	Note C	Fuel tank assembly	Ensemble complet du réservoir	Conjunto tanque	1
56	G080101	Fuel filter	Filtre de carburant	Filtro de combustible	1
57	0062673	Fuel bushing	Bague d'essence	Buje de combustible	2
58	0064729	Fuel valve 90°	Soupape de carburant 90°	Válvula combustible 90°	1
59	0067560	Connector tee 1/4	Connecteur 1/4	Conector 1/4	2
60	0067847	Primer bulb	Ampoule d'apprêt	Bombilla cartilla	1
61	0067562	Connector 90°	Connecteur 90°	Conector 90°	1
62	0008854	Lug, ground	Oeillet de mise à la terre	Terminal, tierra	1
63	0064306	Connector 3/16	Connecteur 3/16	Conector 3/16	1

**S5500 A.C. WIRING SCHEMATIC / SCHÉMA ÉLECTRIQUE D'INSTALLATION DE C.A. / ALAMBRADO ESQUEMATICO DE C.A.**



# FRENCH INSTRUCTIONS

## SÉCURITÉ

### INFORMATION GENERALE

Ce manuel est fourni pour que l'utilisation et l'opération de votre génératrice soient conformes sécuritaires et efficaces. S.V.P. lire attentivement tout le manuel et comprendre chacun des aspects avant d'utiliser votre ensemble de génératrice. S.V.P. lire et bien comprendre la documentation concernant le moteur et l'alternateur fourni avec la génératrice. Garder cette documentation dans un endroit sûr et facile d'accès pour référence lorsque nécessaire. Tous les opérateurs et propriétaires subséquents de cette génératrice doivent lire et comprendre tous les aspects de cette documentation avant d'opérer ce produit.



**CE SYMBOLE EST UTILISÉ TOUT AU LONG DE VOTRE MANUEL DE L'UTILISATEUR AFIN D'ATTIRER VOTRE ATTENTION SUR DES INSTRUCTIONS DE SÉCURITÉ IMPORTANTES. LES MOTS DANGER, AVERTISSEMENT ET PRUDENCE QUI ACCOMPAGNENT CE SYMBOLE REFLÈTENT LA SÉVÉRITÉ POTENTIELLE DE BLESSURES OU DE DOMMAGES PHYSIQUES. NE PAS SUIVRE LES RÈGLES DE SÉCURITÉ POURRAIT METTRE LES AUTRES ET VOUS-MÊME EN DANGER ET OCCASIONNER DES BLESSURES OU MÊME LA MORT. LIRE ET S'ASSURER DE BIEN COMPRENDRE TOUTES LES RÈGLES DE SÉCURITÉ AVANT L'UTILISATION.**

### RÈGLES DE SÉCURITÉ

#### SILENCIEUX COUPE ÉTINCELLES

Certains États et juridictions exigent que les équipements motorisés soient munis de silencieux coupe étincelles. Certains modèles ne sont pas équipés de silencieux coupe étincelles. Si tel est le cas et que les silencieux coupe étincelle sont obligatoires dans votre localité, contacter votre distributeur local pour connaître les instructions concernant la modification à apporter.

#### SYSTÈME DE CONTRÔLE DES ÉMISSIONS D'ÉCHAPPEMENT

Le système de contrôle des émissions d'échappement de cette génératrice est conforme aux exigences établies par la California Air Resources Board (CARB) et le Environmental Protection Agency (EPA). Les manufacturiers des moteurs respectifs administrent la garantie du système d'échappement. Consulter la documentation du moteur pour des renseignements additionnels concernant la garantie.

#### AVERTISSEMENT

**Le tuyau d'échappement de ce produit contient des produits chimiques qui sont reconnus par l'État de Californie comme pouvant causer le cancer, des anomalies congénitales ou d'autres problèmes reproductifs.**

### ÉLECTROCUTION



**DANGER:** CET ENSEMBLE DE GÉNÉRATRICE PRODUIT DU COURANT. PAR CONSÉQUENT, LES RÈGLES DE SÉCURITÉ DOIVENT ÊTRE RESPECTÉES. L'USAGE INAPPROPRIÉ DE CETTE GÉNÉRATRICE PEUT PROVOQUER UNE ÉLECTROCUTION, DES BLESSURES OU LA MORT. NE PAS OPÉRER, FAIRE L'ENTRETIEN OU RÉPARER LA GÉNÉRATRICE SANS POSSÉDER TOUTES LES QUALIFICATIONS NÉCESSAIRES.



**DANGER:** CET ENSEMBLE DE GÉNÉRATRICE EST CONÇU POUR FONCTIONNER UNIQUEMENT À L'EXTÉRIEUR DANS DES CONDITIONS SÈCHES. NE JAMAIS LA FAIRE FONCTIONNER À L'INTÉRIEUR. NE JAMAIS FAIRE FONCTIONNER LA GÉNÉRATRICE SOUS LA PLUIE, DANS LA NEIGE, LE GRÉSIL OU TOUTES AUTRES CONDITIONS NORMALEMENT MOUILLÉES. DES DOMMAGES À LA GÉNÉRATRICE, DES BLESSURES PHYSIQUES OU LA MORT POURRAIENT RÉSULTER D'UNE ÉLECTROCUTION.



**DANGER:** SI CETTE GÉNÉRATRICE EST BRANCHÉE À UN ÉDIFICE, UNE MAISON, UN COMMERCE OU TOUT AUTRE CIRCUIT ÉLECTRIQUE NORMALEMENT ALIMENTÉ PAR LE SERVICE COURANT, LES ÉTAPES DOIVENT ÊTRE SUIVIES POUR S'ASSURER QUE LA SORTIE ÉLECTRIQUE DE LA GÉNÉRATRICE ET LE COURANT UTILISÉ SOIENT POSITIVEMENT ISOLÉS. POUR CE FAIRE, UTILISER UN INTERRUPTEUR PROPREMENT INSTALLÉ. NE PAS ISOLER LA SOURCE ET LE SYSTÈME ÉLECTRIQUE DE LA GÉNÉRATRICE POURRAIT ABÎMER CELLE-CI ET OCCASIONNER DES BLESSURES OU LA MORT.



**DANGER:** NE PAS MODIFIER OU NE PAS FAIRE UN USAGE INAPPROPRIÉ DE VOTRE GÉNÉRATRICE. TOUTE UTILISATION AUTRE QUE CELLES POUR LESQUELLES LA GÉNÉRATRICE EST CONÇUE PEUVENT CONDUIRE À UN BRIS DE LA GÉNÉRATRICE, DES BLESSURES PHYSIQUES OU LA MORT PAR ÉLECTROCUTION.





**DANGER:** NE JAMAIS TOUCHER À UN RÉCEPTACLE OU À UN FIL DÉNUDÉ CAR IL Y A UN RISQUE D'ÉLECTROCUTION.


### FEU




**AVERTISSEMENT:** VOUS ASSURER QU'IL Y A UN ESPACE D'AU MOINS 6 PIEDS DE CHAQUE CÔTÉ DE LA GÉNÉRATRICE PENDANT TOUTE LA DURÉE D'UTILISATION. NE PAS LAISSER L'ESPACE NÉCESSAIRE POURRAIT ENDOMMAGER VOTRE GÉNÉRATRICE ET POTENTIELLEMENT CAUSER UN INCENDIE.

 **AVERTISSEMENT:** L'GAZOLE EST HAUTEMENT INFLAMMABLE ET SES VAPEURS SONT TRÈS EXPLOSIVES. NE PAS MANIPULER CONVENABLEMENT DE L'ESSENCE PEUT RÉSULTER EN UNE EXPLOSION OU UN INCENDIE. NE PERMETTEZ PAS QUE L'ON FUME À MOINS DE 50 PIEDS DE LA GÉNÉRATRICE.


 **AVERTISSEMENT:** NE JAMAIS REMETTRE DE L'ESSENCE LORSQUE LA GÉNÉRATRICE EST CHAUDE. NE JAMAIS REMPLIR LA GÉNÉRATRICE LORSQU'ELLE FONCTIONNE. RENSERSEUR DE L'ESSENCE SUR LE MOTEUR OU LA GÉNÉRATRICE PEUT CAUSER UNE EXPLOSION OU UN INCENDIE. TOUJOURS ATTENDRE QUE L'ENSEMBLE DE LA GÉNÉRATRICE SOIT REFROIDI AVANT LE REMPLISSAGE.

 **AVERTISSEMENT:** NE PAS ENTREPOSER LA GÉNÉRATRICE DANS UN ENDROIT OÙ DES VAPEURS D'GAZOLE PEUVENT ÊTRE EN CONTACT AVEC DES ÉTINCELLES, UN PILOTE OU UNE FLAMME VIVE. L'ENTREPOSAGE INADÉQUAT DE CETTE GÉNÉRATRICE PEUT CAUSER UNE EXPLOSION OU UN INCENDIE.


### GAZ D'ÉCHAPPEMENT


 **DANGER:** NE PAS FAIRE FONCTIONNER LA GÉNÉRATRICE DANS UN ENDROIT CLOS. LE TUYAU D'ÉCHAPPEMENT DE LA GÉNÉRATRICE ÉMET DU MONOXYDE DE CARBONE MORTEL. L'EXPOSITION AU MONOXYDE DE CARBONE PEUT CAUSER UN EMPOISONNEMENT, DES MAUX DE TÊTES, DES NAUSÉES, DES MALADIES SÉVÈRES OU LA MORT.


### BRÛLURES


 **PRUDENCE:** GARDER VOS MAINS, PARTIES DU CORPS, CHEVEUX OU VÊTEMENTS LOIN DES PARTIES CHAUDES DE LA GÉNÉRATRICE PENDANT ET APRÈS L'UTILISATION. LE SYSTÈME D'ÉCHAPPEMENT ET LA GÉNÉRATRICE PEUVENT DEMEURER TRÈS CHAUDS, MÊME APRÈS LA MISE EN ARRÊT.

### PROTECTION ENVIRONNEMENTALE


 **PRUDENCE:** INSPECTER LE SYSTÈME D'ÉCHAPPEMENT RÉGULIÈREMENT POUR VOUS ASSURER QU'IL FONCTIONNE CORRECTEMENT. UN TUYAU D'ÉCHAPPEMENT QUI FUIT AUGMENTE LE NIVEAU DE BRUIT.


 **PRUDENCE:** DIRIGER LE CÔTÉ " BRUYANT " DE LA GÉNÉRATRICE VERS UN ENDROIT OUVERT. ÉVITEZ LA RÉSONANCE D'UN MUR OU D'UN ÉDIFICE POUR NE PAS AMPLIFIER LE SON.


 **PRUDENCE:** INSPECTER LE COUPE ÉTINCELLES PÉRIODIQUEMENT. IL EST REQUIS DANS CERTAINES RÉGIONS ET MINIMISE LES RISQUES D'INCENDIE CAUSÉS PAR LES ÉTINCELLES PROVENANT DU TUYAU D'ÉCHAPPEMENT.


 **PRUDENCE:** NE JAMAIS VIDANGER L'HUILE DU MOTEUR SUR LE SOL OU DANS LE SYSTÈME D'ÉGOUT.


### SÉCURITÉ GÉNÉRALE

 **PRUDENCE :** TOUJOURS SUIVRE LES RÈGLES ÉLECTRIQUES NATIONALES ET LOCALES PERTINENTES À LA GÉNÉRATRICE. LES CODES NATIONAUX ET LOCAUX REMPLACENT LES RÈGLES OU LES INFORMATIONS CONTENUS DANS CE MANUEL.

 **PRUDENCE:** NE PAS FAIRE FONCTIONNER SI LA TEMPÉRATURE AMBIANTE EXCÈDE 104°F/40°C.

 **PRUDENCE:** NE PAS DÉPASSER LA CAPACITÉ DE LA GÉNÉRATRICE. LA CHARGE ÉLECTRIQUE DE CHAQUE PRISE DOIT-ÊTRE ADDITIONNÉE POUR CONNAÎTRE LA CHARGE ÉLECTRIQUE TOTALE ET ELLE NE DOIT PAS DÉPASSER LA CAPACITÉ DÉTERMINÉE DE LA GÉNÉRATRICE. SI L'APPAREIL UTILISÉ N'AFFICHE PAS LES WATTS, MAIS SEULEMENT L'AMPÉRAGE, LES WATTS PEUVENT-ÊTRE CALCULÉS EN MULTIPLIANT L'AMPÉRAGE PAR LE VOLTAGE (WATTS = AMPÈRES X VOLTS).

 **PRUDENCE:** NE PAS MODIFIER LA VITESSE DU MOTEUR. LA GÉNÉRATRICE FONCTIONNE À UNE VITESSE NOMINALE DE 3600 TR/MIN. UNE AUGMENTATION DE LA VITESSE NOMINALE DE 3600 TR/MIN ACCROÎT LE RISQUE DE BLESSURES PHYSIQUES CAUSÉES PAR LE CHOC ROTATIONEL DES MEMBRES ROTATIFS. L'UTILISATION DE LA GÉNÉRATRICE À UNE VITESSE NOMINALE INFÉRIEURE À 3600 TR/MIN PEUT CAUSER DES DOMMAGES À LA GÉNÉRATRICE OU À L'APPAREIL UTILISÉ EN RAISON DU BAS VOLTAGE.

 **AVERTISSEMENT:** REFÉREZ-VOUS AUX RÈGLES ELECTRIQUES LOCALES ET NATIONALES POUR DÉTERMINER CE QUI EST NÉCESSAIRE POUR EFFECTUER LA MISE À LA TERRE, CE QUI PEUT VARIER D'UNE APPLICATION À UNE AUTRE. LA GÉNÉRATRICE EST MISE À LA TERRE À L'INTÉRIEUR DE LA STRUCTURE. DANS LES ENDROITS OU UNE MISE À LA TERRE EXTERNE EST REQUISE, RACCORDER LA GÉNÉRATRICE À UN CONDUCTEUR PHYSIQUE DE MISE À LA TERRE. UN FIL DE CUIVRE SANS PLI, DE LONGUEUR CONTINUE AYANT UN MINIMUM DE 6 AWG DOIT-ÊTRE UTILISÉ.

- Prendre les précautions nécessaires afin de ne pas renverser de l'essence lorsque vous déplacez ou transportez cette génératrice et faire toujours preuve d'un bon jugement lorsque vous soulevez la génératrice. Un nombre suffisant de personnes et une technique adéquate doivent-êtré utilisés pour soulever la génératrice.
- Ne pas couvrir la génératrice pendant son fonctionnement ou juste après son interruption. Il faut toujours allouer une certaine période d'attente pour permettre le refroidissement avant de couvrir la génératrice.
- Faire fonctionner la génératrice seulement si elle est en bonne condition électrique et mécanique.
- Toujours garder vos mains, autres parties du corps, cheveux et vêtements loin des pièces rotatives de la génératrice.
- Ne pas mettre la génératrice en marche avec un appareil raccordé en mode " ON ". Être toujours certains que les appareils utilisés sont disconnectés de la génératrice ou en mode " OFF " (arrêt).

## PRÉCAUTIONS À PRENDRE AVEC LA BATTERIE



**AVERTISSEMENT:** LES BATTERIES DE REMISAGE PRODUISENT ET RELÂCHENT DES GAZ EXPLOSIFS D'HYDROGÈNE LORSQU'ELLES SE RECHARGENT. LA MOINDRE ÉTINCELLE, FLAMME OU TISON PEUT ALLUMÉR CES GAZ ET PRODUIRE UNE SÉRIEUSE EXPLOSION QUI POURRAIT CAUSER LA CÉCITÉ OU D'AUTRES BLESSURES SÉRIEUSES.



**AVERTISSEMENT:** PORTER DES VERRES DE SÉCURITÉ, UN TABLIER ET DES GANTS EN CAOUTCHOUC LORSQUE VOUS TRAVAILLEZ PRÈS OU À L'ENTRETIEN D'UNE BATTERIE. LE LIQUIDE CONTENU DANS UNE BATTERIE EST DE L'ACIDE SULFURIQUE EXTREMEMENT CORROSIVE ET PEUT CAUSER DES BLESSURES SÉRIEUSES.



**AVERTISSEMENT:** TOUJOURS DÉBRANCHER LE CÂBLE DU PÔLE NÉGATIF DE LA BATTERIE AVANT DE FAIRE L'ENTRETIEN DE LA BATTERIE OU AVANT FAIRE N'IMPORTE QUEL ENTRETIEN ÉLECTRIQUE SUR LA GÉNÉRATRICE OU LE MOTEUR.

## GARANTIE LIMITÉE

This warranty applies to generators, pressure washers, and water pumps commercialized by Pramac America, LLC in the USA and Canada. The warranty period begins from the date of purchase and is in effect for two (2) years or 1500 hours. Pramac will repair or replace, at its discretion, any parts determined to be defective under typical use by an authorized service provider or by Pramac. Pramac reserves the right to make the final decisions on all warranty approval.

The warranty does not apply to engines or other components specifically covered and administered by another manufacturer. The warranty period and requirements for approval are defined separately for these components and Pramac cannot determine warrantability in the event of a failure.

### Requirements:

1. Any and all warranty repairs and/or concerns, must be performed and/or addressed by an Authorized/Certified Pramac service center.
2. Proof of purchase must be provided that clearly defines date of purchase and the product model.
3. Warranty expenses may be limited by the approved rates and service schedule published to the service center network.
4. The warranty is not transferable, therefore, the claim must be made by the original owner.
5. Product must have been maintained according to published schedules using genuine service parts.

### The warranty does not cover:

1. Any unit built/manufactured prior to January 1, 2009.
2. Costs of normal maintenance or replacement/repair of normal wear parts.
3. Any failure caused by contaminated fuels, oils, or lack of proper fuels, oils.
4. Failures caused by any external cause or act of God such as, but not limited to, collision, fire, theft, freezing, vandalism, riot or wars, lightning, earthquake, windstorm, hail, volcanic eruption, water or flood, tornado, hurricane, terrorist acts or situations outside reasonably anticipated conditions.
5. Products that are modified or altered in a manner not authorized by Pramac in writing.
6. Failures due, but not limited to, normal wear and tear, accident, misuse, abuse, negligence, or improper application.
7. Any incidental, consequential or indirect damages caused by a warrantable or non-warrantable product failure.
8. Any costs relate to delay in repair or replacement of the defective part(s).
9. Telephone, fax, cell phone, or other communication expenses.
10. Rental equipment used while warranty repairs are being performed or required for any purpose related to a warranty repair.
11. Overtime, holiday, or emergency labor.
12. Any transport costs related to a warranty claim.
13. Any expenses incurred investigating performance complaints unless a warrantable failure was the direct cause of the problem.
14. Starting batteries, fuses, or light bulbs.
15. Overnight or other expedited freight costs related to deliver of parts used in warrantable repairs.

THIS WARRANTY IS IN PLACE OF ALL OTHER WARRANTIES, EXPRESSED OR IMPLIED. PRAMAC DOES NOT GUARANTEE THE PRODUCT FOR ANY SPECIFIC PURPOSE NOT CLEARLY STATED.

Any limitations not allowed by certain states may not apply to the purchaser, with specific rights varying from location to location.

## ENREGISTRER VOTRE PRODUIT

Enregistrer votre génératrice de Pramac en ligne à [www.powermate.com](http://www.powermate.com).





## UTILISATION

### INFORMATION GÉNÉRALE

Ce manuel a été préparé pour vous informer sur l'utilisation et l'entretien de ce produit. Étudier attentivement les informations fournies pour éviter des problèmes reliés à un usage inapproprié ou un mauvais entretien. Vérifier que votre ensemble sera complet et en bon état dès la réception de votre génératrice.

La génératrice comprend un moteur à 4 temps refroidi à l'air, couplé à un alternateur produisant 125 VAC ou 125/250 VAC, selon le modèle. La vitesse approximative sans charge est de 3751 tr/min avec une vitesse avec charge d'environ 3600 tr/min, pour la production d'une fréquence de 60Hz.

#### INSPECTION INITIALE

Une fois que vous aurez reçu votre ensemble de génératrice, inspecter le produit afin de vous assurer qu'il est complet et en bonne condition. Manipuler avec soin et placer dans un endroit convenable pour l'utilisation ou le remisage.

#### MISE À LA TERRE

La génératrice peut être mise à la terre pour prévenir les chocs électriques. Pour ce faire, vous aurez besoin d'une tige de mise à la terre et d'un fil de cuivre conducteur de terre d'une grosseur appropriée. Enfoncer la tige de mise à la terre dans le sol, connecter une extrémité du fil de cuivre à la tige et l'autre extrémité à la prise extérieure de mise à la terre située sur la génératrice. Ceci n'est qu'une explication générale, consulter les codes électriques nationaux et locaux pour en assurer la conformité.

### AVANT LE DÉMARRAGE

#### ESSENCE DU MOTEUR

Utiliser gazole avec une valeur de cétane supérieure à 45. Vérifier la jauge à essence à côté du réservoir et en ajouter si nécessaire.

#### Huile à moteur

Le manuel du moteur ou toute autre information fournie par le fabricant du moteur remplace les données fournies. La qualité d'huile adéquate varie selon le climat. La qualité énumérée dans le tableau est adéquate, mais consulter tout de même le manuel du moteur pour vérifier. La qualité de l'huile à utiliser varie selon le climat. Les orifices pour le remplissage d'huile sont situés de chaque côté du moteur. Le bouchon gris comporte une tige graduée. Ajouter la quantité suffisante d'huile et vérifier le niveau à l'aide de la tige graduée. NOTE: la tige graduée doit être insérée dans l'ouverture sans être tournée.

MOTEUR	HP	Capacité	Qualité
Yanmar L70	5.8	1.1 qt (1.0 l)	Voir manuel
Yanmar L100	9.1	1.7 qt (1.6 l)	Voir manuel

#### BATTERIE DE DÉMARRAGE (Modèles électriques seulement)

Elle est certifiée 12V-34AH et elle est complètement chargée si elle affiche 12.84VDC que vous pouvez mesurer à l'aide d'un voltmètre.

#### POSITIONNEMENT

- Placer la génératrice sur une surface plane et solide afin d'éviter qu'elle coule.
- La surface ne doit pas dépasser 17° à l'horizontale dans toutes les directions pour que l'engin se lubrifie correctement.
- Garder l'essence, l'huile ou autres explosifs à une distance sécuritaire de la génératrice.
- Choisir un endroit bien ventilé et protégé des intempéries.
- Lorsqu'une utilisation à l'intérieur ne peut-être évitée, assurez-vous qu'il y a une excellente ventilation pour les besoins du tuyau d'échappement, le refroidissement et la combustion.
- Placer la génératrice loin des animaux et des humains.

### UTILISATION

Vérifier le niveau d'huile avant chaque utilisation. Ne jamais faire fonctionner avec une quantité insuffisante d'huile.

#### Surcharge de la génératrice

Ne pas dépasser la capacité recommandée de la génératrice lorsque utilisée en continue. Avant de brancher des pièces à la génératrice, déterminer les besoins totaux en électricité du produit à connecter. Les besoins de chaque pièce sont généralement inscrits sur la plaque d'identification du fabricant. Voici une liste des pièces communément utilisées et leurs besoins typiques. Utiliser cette liste comme référence seulement s'il n'y a pas d'autres données.

## GUIDE GÉNÉRAL DES WATTS

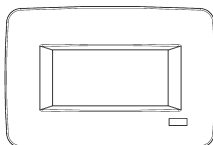
Pièce	Watts en marche
Air conditionné (12000 Btu) (*)	1750
Compresseur à air (1/2 HP) (*)	1400
Compresseur à air (3/4 HP) (*)	1800
Compresseur à air (1 HP) (*)	2000
Chargeur de batterie (25A)	600
Sableuse à ruban (3" ruban)	1000
Scie circulaire (7 1/4")	825-1050
Cafetière	900-1100
Taille bordure (gazon)	550
Ventilateur de fournaise (1/3 HP) (*)	1200
Réchaud (simple)	1500
Clef à impact	600
Ampoule	Classement d'ampoule
Marteau pneumatique	1200
Micro-onde	750
Fusil à peinture (1/3 HP) (*)	650
Fusil à peinture, pulvérisateur manuel	175
Radio	50-200
Réfrigérateur (*)	600
Banc de scie (10") (*)	2000
Télévision	250-550
Taille haies	500

Note: (\*) Les pièces ont besoin de 3 fois le wattage inscrit lors du démarrage.

NOTE: Plusieurs appareils tels que les scies ou les perceuses demandent plus de courant qu'indiqué sur la plaque lorsque surchargés.

## HOROMÈTRE NUMÉRIQUE

- La presse et le bouton de mode de relâchement pour basculer entre **Minuteur Totaux** et **Minuteur 1 (TMR1)**.
- Le **Minuteur Totaux** affiche et enregistre les heures totales que votre générateur a courue. Le **Minuteur Totaux** n'est pas capable de remettre à l'état initial.
- Le **Minuteur 1** peut être utilisé pour traquer des heures opérantes pour les intervalles de service. Le **Minuteur 1** peut remettre à l'état initial en enfonçant le bouton de mode pour de 3 seconde pendant que **TMR1** est affiché.



HOUR METER  
HOROMÈTRE  
CONTADOR HORARIO

## DÉMARRER LA GÉNÉRATRICE

Avant de démarrer votre génératrice, assurez-vous d'avoir suivi toutes les instructions des sections précédentes.

- Vérifier les niveaux d'huile et d'essence.
- Ouvrir la valve d'essence.
- Déplacer le levier de l'"étrangleur" à l'avant en position "ON". Note: l'étrangleur n'est pas obligatoire si le moteur est chaud ou dans des températures ambiantes élevées.
- Tournez l'interrupteur au ralenti-contrôle à "OFF".

## DÉMARRAGE MANUEL

- Mettre l'interrupteur ON/OFF du moteur en position ON.
- Tirer le cordon de recul jusqu'à ce qu'une résistance ce fasse sentir, pousser le levier rouge dessus du moteur, tirer ensuite fermement. Laisser le cordon revenir doucement pour ne pas le briser.

## DÉMARRAGE ÉLECTRIQUE

- Mettre l'interrupteur ON/OFF du moteur en position ON.
- Presser et maintenir l'interrupteur ON/OFF en position de démarrage jusqu'à ce que le moteur démarre. Note: Si le moteur ne démarre pas en 5 secondes, attendre 10 secondes et répéter les instructions.

## PROCEDURE D'APPRET

Cette procédure pourrait être exigée pour le début initial ou les débuts subséquents, si le carburant court hors, ou si l'air est dans le système de carburant.

- Remplir le réservoir complètement avec le gazole.
- Ouvrez le robinet d'arrêt carburant au-dessous du réservoir.
- Pompez deux ou trois fois sur la poire au-dessous du capot du moteur.
- Regardez et attendez que le filtre à carburant soit complètement rempli du gazole - pas d'air.
- Faites démarrer le moteur en appuyant sur l'interrupteur de mise en marche ou en tirant sur le dispositif de rappel.



ROBINET D'ARRÊT CARBURANT  
ET FILTRE

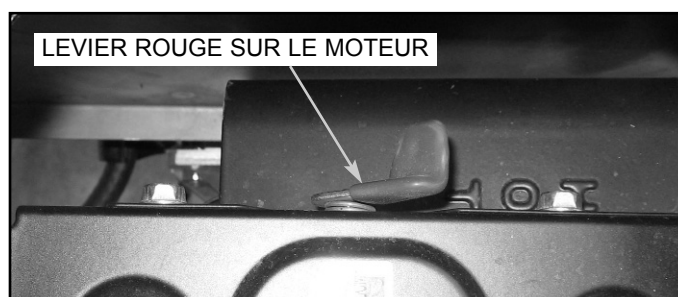


CAPOT DU MOTEUR

AMPOULE D'APPRET

Pour Extrêmement Dur ou Reculer Commencer, ce peut être nécessaire de suivre 6 et 7 à Etapes.

- Pousser le levier rouge dessus du moteur pour de 3-4 seconde en poussant le commutateur de début, coudant le moteur.
- Relâcher le levier rouge gardant toujours le commutateur de début dans la position de départ pour encore 2-3 secondes.
- Recommencez cette procédure si le moteur ne démarre pas (il signifie que le filtre n'est pas complètement rempli avec gazole et calme a de l'air à l'intérieur).



LEVIER ROUGE SUR LE MOTEUR

## GUIDE DE SÉLECTION DU VOLTAGE (modèles applicables)

Le commutateur de sélection de voltage permet à la génératrice de produire 120 volts seul ou 120/240 simultanément. Seuls les réceptacles 120V doivent être utilisés avec le commutateur en position 120V. Tout le courant de la génératrice est disponible à 120V mais la sortie 240V ne l'est pas. Tous les réceptacles sont disponibles en position 120/240 mais seulement la moitié du débit est disponible dans chaque réceptacle de 120V. Le plein débit peut être tiré de la génératrice à partir des réceptacles 240V. Le commutateur doit toujours être laissé en position 120V lorsque le 240V n'est pas nécessaire. Ceci balance mieux la charge de la génératrice.

### ARRÊT DE LA GÉNÉRATRICE

Débrancher tous les appareils et laisser la génératrice fonctionner sans charge pendant quelques minutes. Tourner le commutateur du moteur ON/OFF ou le commutateur clé dans la position OFF. Tourner la valve d'essence au OFF la position.

## USAGE DE LA GÉNÉRATRICE

### QU'EST-CE QU'UNE GÉNÉRATRICE?

Une génératrice est principalement un moteur à essence ou au diesel couplé à un alternateur pour produire de l'électricité. C'est une bonne alternative d'énergie lorsqu'il y a des pannes d'électricité ou encore lorsque vous êtes dans un endroit éloigné où l'électricité n'est pas disponible. Les génératrices sont indispensables pour les gens comme les agriculteurs ou les entrepreneurs qui ont souvent besoin d'une source portable d'électricité. Elles sont également très utiles pour un usage récréatif.

### CHOISIR UNE GÉNÉRATRICE

Le choix de la bonne génératrice est important. Une génératrice trop petite pour alimenter vos équipements ne pourra pas les faire fonctionner tous, alors qu'une génératrice trop grosse coûte plus cher et représente une perte d'argent lorsqu'elle ne fonctionne pas à son plein potentiel. La grosseur de génératrice adéquate peut être déterminée en additionnant les watts de chaque article à employer simultanément avec les watts nécessaires à l'allumage. Sélectionner une génératrice avec un taux continu qui dépasse votre total de 20% afin de permettre une expansion éventuelle. Voir le tableau de la section intitulée " Surcharge de la génératrice " pour les normes d'équipements fréquemment utilisées.

### WATTS CONTINU versus WATTS MAXIMUM

Les watts nominiaux ou continus sont le nombre de watts nécessaires à un équipement lorsqu'il fonctionne. Les watts de surtension ou maximums sont le nombre de watts requis pour démarrer un équipement. Cette information est habituellement inscrite sur la plaque du fabricant. Si les watts ne sont pas inscrits, ils peuvent être calculés en utilisant la formule suivante: watts = ampères x volts.

## RALLONGE ÉLECTRIQUE

Une rallonge électrique devrait toujours être en bonne condition, sans dommages aux fils et au recouvrement. Ne jamais plonger une rallonge dans l'eau. La grosseur adéquate pour une rallonge peut être déterminée par le tableau suivant.

Charge Continue	Jauge Minimum (AWG)		
	0-50 Pieds	50-100 Pieds	100-150 Pieds
20	12	10	8
25	12	10	6
30	10	8	6
35	10	8	4
40	8	6	2
50	6	4	2

## CHARGER VOTRE GÉNÉRATRICE

S.V.P. réviser les réceptacle à courant de votre génératrice à l'aide des informations contenues dans la section " réceptacle ". Les taux du disjoncteur et de la génératrice conduisent la capacité réelle qui peut être demandée pour chaque réceptacle. Les taux montrés dans le tableau représentent le maximum disponible pour chaque réceptacle. NE PAS DÉPASSER LE TAUX DE CHAQUE RÉCEPTACLE INDIVIDUEL TEL QUE DÉMONTRÉ DANS LE TABLEAU CI-DESSOUS. NE PAS DÉPASSER LE TAUX MAXIMUM DE LA GÉNÉRATRICE, TEL QUE DÉMONTRÉ DANS LE TABLEAU 2, PERFORMANCE ET SPÉCIFICATIONS. Toutes les génératrices sont équipées d'un disjoncteur thermo-magnétique principal ainsi qu'un disjoncteur " PRESSER POUR REDÉMARRER ".

### TABLEAU DU TAUX D'AMPÉRAGE

Modele	Cont. Watts	Surtension Watts
E3750	3600 Watts 30/15 Amps	3700 Watts 30.8/15.4 Amps
S5500	5000 Watts 41.7/20.8 Amps	5500 Watts 45.8/22.9 Amps

## LIMITE DU MOTEUR SUR LA PERFORMANCE DE LA GÉNÉRATRICE

Le niveau de la génératrice est évalué à une température de 60 F (20C) au niveau de la mer. L'utilisation de votre génératrice à des températures au-dessus de 60 F (20C) ou au-dessus du niveau de la mer résultera en une baisse de la tension électrique. La tension électrique doit-être dégrévé de 1% pour chaque 10 F au-dessus de 60 F et de 3 ½ % pour chaque 1000 pieds au-dessus du niveau de la mer.

## NETTOYAGE DE LA GÉNÉRATRICE



**ATTENTION:** TOUJOURS ÉTEINDRE LA GÉNÉRATRICE ET ATTENDRE QU'ELLE REFROIDISSE AVANT DE LA NETTOYER.



**AVERTISSEMENT:** NE PAS UTILISER DE L'EAU À HAUTE PRESSION OU UN BOYAU DE JARDIN POUR NETTOYER VOTRE GÉNÉRATRICE.

L'INTRODUCTION D'EAU À L'INTÉRIEUR DE LA GÉNÉRATRICE PEUT PROVOQUER UN COURT-CIRCUIT, DES DOMMAGES À LA GÉNÉRATRICE OU DES BLESSURES PHYSIQUES.

- De l'air comprimé (max.25 psi) peut être utilisé pour enlever la saleté de votre génératrice. NE PAS ENVOYER D'AIR DIRECTEMENT DANS AUCUNE OUVERTURE DE LA GÉNÉRATRICE OU DU MOTEUR.
- Utiliser un linge humide pour nettoyer les surfaces extérieures.
- Utiliser une brosse à poil doux pour nettoyer la saleté tenace et les dépôts d'huile ou de graisse.
- Ne jamais insérer des chiffons, des outils ou tout autre objet à l'intérieur des ouvertures de la génératrice ou du moteur.

## RÈGLES GÉNÉRALES D'ENTRETIEN

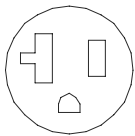


**AVERTISSEMENT:** LES VAPEURS D'GAZOLE SONT INFLAMMABLES. NE PAS RANGER VOTRE GÉNÉRATRICE DANS UN ENDROIT SE TROUVANT À L'INTÉRIEUR OU DANS UN ENDROIT TRÈS PEU VENTILÉ. LES VAPEURS D'ESSENCE PEUVENT S'ENFLAMMER À PROXIMITÉ D'UNE FLAMME VIVE, D'UN PILOTE, D'UNE SÈCHEUSE, D'UN CHAUFFE-EAU, ETC.

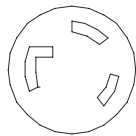
- Votre génératrice devrait être démarrée et utilisée pour plusieurs minutes au moins une fois tous les 30 jours.
- Si la génératrice ne peut être utilisée une fois aux 30 jours, suivre les indications de remisage fournies avec la documentation du moteur.
- NOTE: Une valve d'arrêt d'essence est positionnée à la base du réservoir d'essence. La valve doit être fermée durant la période d'entreposage.

### DÉTAILS DES RÉCEPTACLES (PRISE FEMELLE)

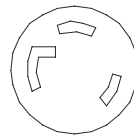
Les réceptacles montrés dans cette section sont uniquement à titre de référence. Tous les réceptacles ne sont pas disponibles sur toutes les génératrices.



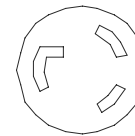
NEMA 5-20R  
125V - 20A



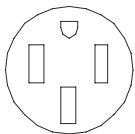
NEMA L5-30R  
125V - 30A



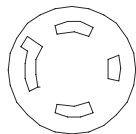
NEMA L6-30R  
250V - 30A



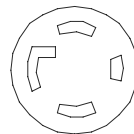
NEMA L6-20R  
250V - 20A



NEMA 14-50R  
125/250V - 50A



NEMA L14-20R  
125/250V - 20A



NEMA L14-30R  
125/250V - 30A

# ENTRETIEN GÉNÉRAL

## SÉLECTION D'HUILE

Le choix d'une bonne huile ainsi que du bon niveau d'huile sont primordial pour atteindre une plus grande longévité du moteur. Utiliser une huile à moteur haute en détersif de première qualité certifiée de classe CC & CD qui devrait être inscrit sur le contenant. SAE 20W-40 est recommandé pour un usage général à toute température. Vous servir du tableau ci-contre pour sélectionner la bonne huile pour la température de votre région.

Viscosité	-30C/-22F	-20C/-4F	-10C/14F	0C/32F	10C/50F	20C/68F	30C/86F	40C/104F
Simple	10W		██████████	██████████				
	20W		██████████	██████████	██████████			
	20			██████████	██████████	██████████		
	30				██████████	██████████	██████████	
	40						██████████	██████████
Multi	20W-40, 20W-50		██████████	██████████	██████████	██████████	██████████	██████████
	15W-40, 15W-50		██████████	██████████	██████████	██████████	██████████	██████████
	10W-40		██████████	██████████	██████████	██████████	██████████	██████████
	10W-30		██████████	██████████	██████████	██████████	██████████	██████████

## INSPECTION QUOTIDIENNE

1. Cordon de démarrage
2. Niveau d'huile moteur
3. Vérifier les fuites d'huile et d'essence
4. Inspecter les câbles à bougies
5. Inspecter le système de refroidissement pour la propreté
6. Écouter pour des sons anormaux
7. Regarder pour des vibrations anormales

## GUIDE DES FAILLES

SYMPTÔMES	CAUSES PROBABLES	CORRECTION
LE MOTEUR NE DÉMARRE PAS	<ol style="list-style-type: none"> <li>1. Niveau d'huile trop bas.</li> <li>2. Pas d'essence ou valve fermé.</li> <li>3. Démarre avec commutateur à OFF.</li> <li>4. Système d'essence bloqué ou qui fuie.</li> <li>5. Filtre à air obstrué.</li> <li>6. Génératrice sous tension avant le démarrage</li> </ol>	<ol style="list-style-type: none"> <li>1. Ajouter de l'huile</li> <li>2. Ajouter de l'essence ou ouvrir la valve.</li> <li>3. Mettre le commutateur à On.</li> <li>4. Réparer le système d'arrivée d'essence.</li> <li>5. Nettoyer ou remplacer le filtre à air.</li> <li>6. Débrancher la charge.</li> </ol>
IL N'Y A PAS DE COURANT	<ol style="list-style-type: none"> <li>1. le disjoncteur est sauté.</li> <li>2. Réceptacle GFCI sauté.</li> <li>3. disjoncteur défectueux.</li> <li>4. réceptacle défectueux.</li> <li>5. Condensateur de l'alternateur défectueux.</li> <li>6. diodes de l'alternateur défectueux</li> <li>7. défauts dans le circuit de l'alternateur</li> </ol>	<ol style="list-style-type: none"> <li>1. Remettre disjoncteur.</li> <li>2. Remettre GFCI réceptacle.</li> <li>3. Remplacer disjoncteur</li> <li>4. Remplacer réceptacle.</li> <li>5. Remplacer Condensateur.</li> <li>6. Remplacer diodes.</li> <li>7. Réparer or remplacer l'alternateur.</li> </ol>
MACHINE BRUYANTE	<ol style="list-style-type: none"> <li>1. Coussinet défectueux.</li> <li>2. Système d'échappement défectueux.</li> <li>3. Pièces vibrantes ou bruyantes.</li> </ol>	<ol style="list-style-type: none"> <li>1. Remplacer coussinet.</li> <li>2. Réparer ou remplacer.</li> <li>3. Réparer pièces vibrantes ou bruyantes.</li> </ol>
SURCHAUFFE	<ol style="list-style-type: none"> <li>1. Ventilation openings blocked.</li> <li>2. Overload.</li> <li>3. Ambient temperature too high.</li> </ol>	<ol style="list-style-type: none"> <li>1. Clear ventilation openings.</li> <li>2. Verify load levels.</li> <li>3. Provide better ventilation for cooling.</li> </ol>
LE DISJONCTEUR SAUTE	<ol style="list-style-type: none"> <li>1. Circuit surchargé.</li> <li>2. Équipements ou câbles défectueux.</li> <li>3. Disjoncteur défectueux.</li> </ol>	<ol style="list-style-type: none"> <li>1. Réduire la charge</li> <li>2. Vérifier, réparer ou remplacer.</li> <li>3. Remplacer le disjoncteur.</li> </ol>

## COMMANDE DES PIÈCES

### **GÉNÉRAL**

L'Additif de manuel a été préparée pour vous aider à localiser les pièces qui peuvent être nécessaires à l'entretien de votre unité. Elle contient une liste illustrée des ces pièces qui sont fabriquées avec la même précision que les équipements d'origine. Exiger toujours des pièces authentiques de la Compagnie Pramac America pour une plus grande protection de votre génératrice.

**NOTE:** La Compagnie Pramac America, LLC ne peut être tenue responsable de blessures ou dommages à la suite d'utilisation de pièces de rechange non-approuvés.

### **DESCRIPTION**

La liste illustrée fait la description détaillée des pièces qui composent cet engin. Elle couvre les modèles standards et les options les plus populaires disponibles. Le numéro de la pièce, sa description et la quantité nécessaire figurent sur chaque illustration.

Les quantités spécifiées indiquent le nombre utilisé pour chaque ensemble et ne sont pas nécessairement le nombre total de pièces utilisées dans l'appareil. La quantité de un est sous-entendu lorsqu'il n'y rien d'inscrit.

Chaque description d'une partie est basée sur la méthode du "nom d'abord", c'est-à-dire, la première partie de la description est toujours le nom identifiant. Le nom est généralement suivi d'une brève énoncée descriptive. Le modificateur descriptif peut être suivi par des mots ou des abréviations comme supérieur, plus bas, intérieur, extérieur, devant, arrière, RH, le LH, etc. quand ils sont essentiels.

### **MARQUES ET DÉCALQUES**

**NOTE:** Ne pas peindre par-dessus les avertissements de sécurité ou les décalques d'instructions. Commander des décalques de rechange auprès de l'usine dès qu'ils deviennent illisibles.

Le numéro de la pièce pour les décalques originaux et leurs locations sont illustrés dans la section des pièces. Ils sont disponibles tant que le modèle sera en production.

Par la suite, des ensembles de décalques extérieurs et les avertissements de sécurités sont disponibles, contacter le groupe du service des pièces de Mocksville pour vos besoins particuliers et les disponibilités.

### **COMMENT UTILISÉES LA SECTION DES PIÈCES ?**

- Aller à la page de la section de la liste des pièces dans l'Additif de manuel.
- Localiser l'endroit de l'appareil où se situe la pièce désirée et trouver l'illustration.
- Localiser la pièce désirée sur l'illustration et prenez en note le numéro et la description.

### **COMMENT COMMANDER**

La satisfaction du client lorsqu'il commande des pièces dépend grandement de l'usage correct de toutes les informations disponibles. En fournissant toute l'information nécessaire au bureau des ventes, à une compagnie autonome ou à un distributeur autorisé, vous leurs permettez de remplir votre demande correctement, évitant ainsi des délais inutiles. Afin d'éviter toute erreur lorsque vous commandez des pièces, nous vous offrons les instructions suivantes comme un guide de l'acheteur.

- Toujours spécifier le numéro du modèle.
- Toujours spécifier le numéro de série. C'est très important.
- Toujours spécifier le numéro de la pièce.
- Toujours spécifier la quantité désirée.
- Toujours spécifier le numéro de la pièce et la description exactement dans l'illustration.

Il est important d'inscrire les numéros de modèle et de série de la génératrice, dans l'éventualité où les pièces sont retournées au bureau des ventes, à une compagnie autonome ou à un distributeur autorisé le plus près pour inspection ou réparation.

### **TERMES ET CONDITIONS POUR LA COMMANDE DES PIÈCES**

**Acceptation:** L'acceptation d'une offre est expressément limitée aux termes exacts contenu aux présentes. Si le formulaire de commande de l'acheteur est utilisé comme l'acceptation de l'offre, il est expressément compris et entendu que les termes et conditions d'un tel formulaire ne s'appliquent pas sauf lorsque expressément permis par écrit de la Compagnie Pramac America, LLC.

**Taxes:** Les taxes ou tout autre frais gouvernemental perçu pour la production, la vente, l'usage ou l'envoi d'équipement et de matériel, commandé ou vendu ne sont pas inclus dans le prix de la Compagnie et sera chargée et payée par l'acheteur. Les dates d'expédition seront étirées pour les actes de Dieu, les actes de l'acheteur, les actes du gouvernement, les incendies, les inondations, les grèves, les émeutes, la guerre, un embargo, le manque de transport, délai ou défaut de la part des vendeurs de la Compagnie, ou tout autre cause qui sont hors de contrôle de la Compagnie.

Si l'acheteur demande des instructions de transport particulier, incluant le transport aérien lorsque les transporteurs courants sont côtés et avant que les changements au formulaire de commande puissent être reçus par la compagnie, les frais doivent être honorés par l'acheteur.

**Garantie:** La Compagnie garantie les pièces qu'elle usine tel que spécifiées et seront exemptes de défauts matériels et de main d'œuvre. La responsabilité de la Compagnie sous cette garantie ne s'applique qu'aux réparations ou remplacements de toutes pièces défectueuses au moment de l'envoi, à la condition que l'acheteur notifie la Compagnie dès que le problème est identifié, mais dans un délai ne dépassant pas de (3) mois la date d'expédition.

La seule exception de cet énoncé est la garantie prolongée telle qu'elle s'applique au programme spécial d'échange " aïrend ". Les réparations et les remplacements doivent être faits par les points d'envoi F.O.B.de la Compagnie. La Compagnie n'est pas responsable des coûts de transports, le retrait ou l'installation. La garantie s'applique au matériel et équipements fournis par la Compagnie mais ceux fabriquées par d'autres sont limités à la garantie prolongée de la Compagnie par le manufacturier qui sont aptes à communiquer avec le client.

**Livraison:** Les dates d'expédition sont approximatives. La Compagnie fait de son mieux pour expédier aux dates spécifiées; cependant, la Compagnie ne peut pas être tenue responsable pour les délais ou défauts sur les estimations d'expédition et de livraison du matériel ou équipements ou dommages subis.


Cette Compagnie n'offre aucune autre garantie exprimée ou implicite, à l'exception celles attirées, incluant les garanties de marchandage et de convenance pour des situations particulières sont exclues.

# SPANISH INSTRUCTIONS

## SEGURIDAD

### INFORMACION GENERAL

Este manual ha sido proporcionado para que su generador sea operado y aplicado apropiadamente, con seguridad y eficacia. Por favor lea y entienda todos los aspectos de este manual antes de operar su generador. Por favor lea y entienda la documentación proporcionada con este generador sobre el motor y alternador. Mantenga esta documentación en un lugar seguro y accesible así lo pueda consultar cuando sea necesario. Todos los operadores, usuarios y dueños posteriores de este generador deben leer y entender todos los aspectos de esta documentación antes de operar este producto.

 **ESTE SIMBOLO HA SIDO USADO DURANTE TODO SU MANUAL DEL PROPIETARIO PARA ATRAER SU ATENCIONN INSTRUCCIONES IMPORTANTES DE SEGURIDAD. LAS PALABRAS PELIGRO, ADVERTENCIA Y CUIDADO, ACOMPAÑAN ESTE SIMBOLO Y REFLEJAN LA SEVERA POTENCIAL DE LESIONES O DAÑOS. FALTA DE SEGUIMIENTO DE ESTAS INSTRUCCIONES DE SEGURIDAD PUEDEN PONER EN PELIGRO A USTED U OTROS RESULTANDO EN LESIONES PERSONALES O HASTA LA MUERTE. LEA Y ENTIENDA LAS INTRUCCIONES ANTES DE LA FUNCIONAR.**

### REGLAS DE SEGURIDAD

#### SILENCIADOR CON ATRAPACHISPAS

Cierto Estados y Jurisdicciones requieren que el equipo manejado por motor este equipado con silenciadores con atrapa chispas. Dependiendo en el Modelo de generador, silenciadores con atrapa chispas pueden o no ser equipados. Si silenciadores con atrapa chispas son requeridos para su localidad y su silenciador no es atrapa chispas, comuníquese con su representante local para instrucciones para un retrofit.

#### SISTEMA DE CONTROL DE EMISIONES DE ESCAPE

El sistema de control de emisiones de escape para este generador cumple con los principios fijados en California Air Resources Board (CARB) y la Environmental Protection Agency (EPA). Los respectivos fabricantes des motores administran las garantías del sistema de emisiones de escape. Consulte a la documentación del motor para información sobre la garantía.

#### ADVENTENCIA

**El exhaust del motor de este producto contiene químicos conocidos por el Estado de California como causantes de cáncer, defectos al nacer, u otros daños reproductivos.**

### ELECTROCUCION



**PELIGRO:** ESTE GENERADOR PRODUCE CORRIENTE ELECTRICAT. POR LO TANTO, LAS GUIAS DE SEGURIDAD DEBEN DE SEGUIRSE. USO INAPROPIADO DE ESTE GENERADOR PUEDE RESULTAR EN ELECTROCUCION, LESIONES OR LA MUERTE. NO OPERE, HAGA REVISIONES O REPARACIONES A ESTE GENERADOR A MENOS QUE ESTE COMPLETAMENTE CALIFICADO PARA HACERLO.



**PELIGRO:** ESTE GENERADOR FUE DISEÑADO PARA FUNCIONAR EN CONDICIONES SECAS Y SOLO AL AIRE LIBRE. NUNCA OPERE ESTE GENERADOR EN LUGARES CERRADOS. NUNCA OPERE ESTE GENERADOR LLUVIA, NIEVE, AGUANIEVE, CONDICIONES MOJADS EN GENERAL. DAÑOS AL GENERADOR, LESIONES FISICAS, O LA MUERTE PUEDEN RESULTAR DE ELECTROCUCION.



**PELIGRO:** SI ESTE GENERADOR ES CONECTADO A UNA COMPLEXION, HOGAR, NEGOCIO, U OTRO CIRCUITO ELECTRICO NORMALMENTE ALIMENTADO POR EL SUMINISTRO DE LA RED, PASOS DEBEN DE TOMARSE PARA ASEGURAR LA POTENCIA DEL GENERADOR Y EL SUMINISTRO DE LA RED ESTÁN POSITIVAMENTE AISLADOS. TÍPICAMENTE ESTO ES LLEVADO A CABO A TRAVES DEL USO DE UN CUADRO DE CONMUTACIÓN INSTALADO APROPIADAMENTE. FALTA DE AISLAMIENTO DEL SISTEMA ELECTRICO DE LA RED Y EL GENERADOR RESULTARA EN DAÑOS AL GENERADOR Y PUEDE RESULTAR EN LESIONES FISICAS O LA MUERTE A TRABAJADORES DE LA RED DEBIDO AL RETORNO DE LA ELECTRICIDAD.



**PELIGRO:** NO MODIFIQUE O USE INDEBIDAMENTE SU GENERADOR. FUNCIONAMIENTO DEL GENERADOR OTRO QUE EL INDICADO PUEDE RESULTAR EN DAÑOS AL GENERADOR, LESIONES FISICAS, O LA MUERTE PUEDEN RESULTAR DE ELECTROCUCION



**PELIGRO:** NUNCA TOQUE UN RECEPTACULO O UN CABLE PELADO. ELECTROCUCION O UN IMPACTO PUEDE RESULTAR DEBIDO A ESTO.

### FUEGO



**ADVERTENCIA:** SIEMPRE ASEGURESE QUE SE MANTENGAN POR LO MENOS 6 PIES DE DESPEJE EN TODOS LOS LADOS DEL GENERADOR DURANTE EL FUNCIONAMIENTO DEL MISMO. PUEDE CAUSAR DAÑOS AL GENERADOR Y POTENCIALMENTE CONDUCIR A INCENDIOS, LA FALTA DE MANTENER DESPEJE APROPIADO.



**ADVERTENCIA:** GASOLEO ES MUY INFLAMABLE Y SUS VAPORES SON EXPLOSIVOS. FALTA DE MANEJO APROPIADO PUEDE RESULTAR EN UNA EXPLOSION O INCENDIO. NO PERMITA FUMAR DENTRO DE 50FT DEL GENERADOR.





**ADVERTENCIA:** NUNCA VUELVA A LLENAR UN GENERADOR CALIENTE CON COMBUSTIBLE.

NUNCA VUELVA A LLENAR UN GENERADOR MIENTRAS ESTE FUNCIONANDO. DERRAME SOBRE LEL MOTOR O GENERADOR PUEDE RESULTAR EN UN EXPLOSION O INCENDIO. SIEMPRE DEJE QUE EL GENERADOR SE ENFRIE ANTES DE VOLVER A LLENARLO.



**ADVERTENCIA:** NUNCA GUARDE ESTE GENERADOR EN CUALQUIER LUGAR DONDE GASES DE GASOLEO PUEDAN ENTRAR EN

CONTACTO POTENCIALMENTE CON CHISPAS, UNA LUZ DE PILOTO O UNA LLAMA ABIERTA. ALMACENAMIENTO INAPROPIADO DE ESTE GENERADOR PUEDE RESULTAR EN UN EXPLOSION O INCENDIO.

#### GASES DE ESCAPE



**PELIGRO:** NO OPERE ESTE GENERADOR EN UNA AREA CERRADA. LOS GASES DE ESCAPE DE ESTE GENERADOR EMITEN "MORTAL" MONOXIDO DE CARBONO. EXPONERSE AL MONOXIDO DE CARBONO PUEDE CAUSAR ENVENENAMIENTO DE MONOXIDO DE CARBONO, DOLORS DE CABEZA, NAUSEA, SEVERA ENFERMEDAD O LA MUERTE.

#### QUEMADURAS Y ESCALDADURAS



**CUIDADO:** MANTENGA MANOS, PARTES DEL CUERPO, CABELLO Y ROPA LEJOS DE LAS PIEZAS "CALIENTES" DEL GENERADOR DURANTE Y DESPUES DEL FUNCIONAMIENTO. EL EXHAUST SYSTEM, Y EL GENERADOR EN GENERAL, PUEDEN PERMANECER MUY CALIENTES AUN DESPUES DE HABER SIDO APAGADO.

#### PROTECCION AMBIENTAL



**CUIDADO:** INSPECCIONE EL SISTEMA DE ESCAPE REGULARMENTE PARA ASEGURARSE QUE ESTE FUNCIONANDO APROPIADAMENTE. SISTEMA DE ESCAPE CON FUGAS PUEDE INCREMENTAR LOS NIVELES DE RUIDO.



**CUIDADO:** DIRIGE LOS LADOS RUIDOSOS DEL GENERADOR HACIA ESPACIOS ABIERTOS EVITANDO RESONANCIA DE PAREDES O COMPLEJOS DE ESTA MANERA AMPLIFICA EL SONIDO.



**CUIDADO:** INSPECCIONE LOS ATRAPACHISPAS PERIODICAMENTE. ATRAPACHISPAS SON REQUERIDOS EN UNAS AREAS Y REDUCEN EL RIESGO DE FUEGO DE CHISPAS EMITIDAS DEL ESCAPE.



**CUIDADO:** NUNCA VACIE OR TIRE ACEITE DE MOTOR A LA TIERRA O A SUMIDEROS DE AGUAS RESIDUALES DOMÉSTICOS.

#### SEGURIDAD GENERAL

Siempre siga lo códigos Nacionales y Locales relacionados con generadores. Todos los códigos Nacionales y Locales reemplazan reglas o información proporcionada en este manual.



**CUIDADO:** NO OPERE ESTE GENERADOR SI LA TEMPERATURA DEL AMBIENTE EXCEDE 104°F/40°C.



**CUIDADO:** NO EXCEDA LA CAPACIDAD INDICADA DEL GENERADOR. EL TOTAL DE CARGAS ELECTRICAS EN CADA ENCHUFE DEBEN SUMARSE PARA DETERMINAR EL TOTAL DE CARGA ELECTRICA. EL TOTAL DE CARGA ELECTRICA NO DEBE EXCEDER EL TOTAL DE LA CAPACIDAD INDICADA DEL GENERADOR. SI EL APARATO CONDUCCIONADO NO LISTA LA POTENCIA EN VATIOS, PERO SOLO EN AMPERIOS, LA POTENCIA EN VATIOS PUEDE SER DETERMINADA MULTIPLICANDO LOS AMPERIOS POR EL VOLTAJE (VATIOS = AMPERIOS X VOLTIOS).



**CUIDADO:** NO MANIPULE CON EL MOTOR VELOCIDAD GOBERNADA. EL GENERADOR OPERA EN UNA VELOCIDAD NOMINAL DE 3600 RPM. LOS AUMENTOS EN LA VELOCIDAD SOBRE EL 3600 SUSTANTIVO DE RPM AUMENTARAN LA OPORTUNIDAD DE HERIDA PERSONAL DEBIDO A ENFASIS GIRATORIOS EN LOS MIEMBROS QUE GIRAN. LA OPERACION DEL GENERADOR EN VELOCIDADES DEBAJO DEL SUSTANTIVO QUE 3600 RPM PODRIA CAUSAR DAÑO AL GENERADOR O EL APARATO ACCIONADO DEBIDO A SALIDA BAJA DE VOLTAJE.



**ADVERTENCIA:** CONSULTE SUS CODIGOS LOCALES Y NACIONALES PARA DETERMINAR REQUISITOS DE PUESTA A TIERRA ASÍ COMO ESTO PUEDE VARIAR POR APPLICACION. EL GENERADOR ES PUESTO A TIERRA INTERNAMENTE NEUTRAL A LA MONTURA. DONDE LAS APPLICACIONES REQUIERAN PUESTA A TIERRA EXTERNA, UNA CONEXIÓN DEBE HACERSE DEL GENERADOR A UN PUNTO DE TIERRA SÓLIDO. UN CABLE CONTINUO DE COBRE, LIBRE DE EMPALMES NO MAS PEQUEÑO DE 6 AWG, DEBE SER USADO PARA EL CONDUCTOR.

- Cuando mueva o transporte este generador, tome precauciones adecuadas para evitar derrames de combustible. Siempre use sentido común cuando levante este generador. Un adecuado numero de personas y métodos adecuados para levantar deben ser usados.
- No cubra el generador mientras este en funcionamiento o inmediatamente después de haberlo apagado. Siempre permita un tiempo para enfriar antes de cubrirlo.
- No ponga en funcionamiento este generador a menos que este en buena condición mecánica y eléctrica.
- Siempre mantenga manos, partes del cuerpo, cabello y ropa lejos de las piezas que giran en el generador.
- No arranque este generador con aparatos conectados que estén encendidos. Siempre asegúrese que los aparatos estén desconectados o si están conectados que estén apagados antes de arrancar el generador.
- Generadores funcionando en sitios de trabajo o construcción pueden requerir que tengan enchufes GFCI (Ground Fault Circuit Interrupters).
- Use solo cables de extensión puestos a tierra en buena condición y asegúrese que el tamaño del cable en los cables de extensión tenga tamaño suficiente para llevar la potencia de salida del generador.
- Nunca maneje cables de extensión o circuitos eléctricos si esta parado en agua o áreas mojadas.

## SEGURIDAD DE BATERIAS



**ADVERTENCIA:** ALMACENAMIENTO DE BATERIAS PRODUCE Y EMITE GAS DE HIDROGENO EXPLOSIVO CUANDO SE CARGA. LA MAS MÍNIMA CHISPA, LLAMA O CENIZA QUEMANDOCE PUEDE PRENDER FUEGO A ESTOS GASES Y CAUSAR UNA EXPLOSION SERIA QUE PUEDE RESULTAR EN CEGUERA U OTRAS GRAVES LESIONE. USE PROTECCION EN LOS OJOS, DELANTAL Y GUANTES DE GOMA CUANDO ESTE TRABAJANDO ALREDEDOR DE BATERIAS CUANDO ESTE LLEVANDO A CABO SERVICIOS A BATERIAS. EL FLUJO DE BATERIAS ES ACIDO SULFURICO EXTREMADAMENTE CAUSTICO, QUE PUEDE CAUSAR SEVERAS QUEMADURAS. SIEMPRE DESCONECTE EL CABLE NEGATIVO (-) DE LA BATTERIA ANTES DE LLEVAR A CABO SERVICIO A UNA BATERIA O ANTES DE LLEVAR A CABO SERVICIO ELECTRICO A UN GENERADOR O MOTOR.

## GARANTIA LIMITADA

**Pramac America, LLC, a través de sus distribuidores, garantiza al usuario inicial que cada generador A5500 será libre de defectos en material y fabricación por un periodo de los primeros dos (2) años del cargamento o la acumulación de 1,500 horas de servicio por el usuario inicial, cual sea que ocurra primero.**

**Pramac America, LLC proporcionara una nueva pieza o pieza reparada, a su elección, en lugar de cualquier pieza, cual sea encontrada en su inspección de ser defectos en el material y fabricación durante el periodo prescrito arriba.**

**Costos de trabajo para reemplazar la pieza es responsabilidad del usuario. Usuario debe presentar la prueba de compra a la hora de ejercitarse la garantía.**

La garantía arriba no aplica a fallas ocurridas por resultado de abuso, emplear mal, reparaciones negligentes, corrosión, erosión y deterioro y roturas normales, alteraciones o modificaciones hechas al producto sin consentimiento por escrito de Pramac Industries; o por falta en seguir las practicas de funcionamiento recomendadas y procedimientos de mantenimiento como han sido proporcionadas en las publicaciones de mantenimiento del funcionamiento del producto.

Accesorios fabricados por otros, incluyendo, pero no limitando a, motores, deben llevar cual sea la garantía del fabricante que ha transmitido a Pramac Industries y la cual debe pasarse al usuario inicial.

ESTA GARANTIA ESTA EN LUGAR DE TODAS LAS GARANTÍAS EXPRESADAS O IMPLICADAS, (EXCEPTO LA DEL TITULO), Y NO HAY GARANTÍAS DE COMERCIALIZACIÓN O DE CAPACIDAD PARA UN PROPÓSITO PARTICULAR.

## REGISTRE SU PRODUCTO

Registre su generador de Pramac en línea en [www.powermate.com](http://www.powermate.com).



## FUNCIONAMIENTO

### INSPECCIÓN INICIAL

En cuanto reciba su generador, inspeccione el producto para asegurarse que esta completo y en buena condición. Manéjese con cuidado y colóquelo en un sitio adecuado para almacenarlo o ponerlo en función.

### PUESTA A TIERRA

El generador puede ser puesto a la tierra para reducir la posibilidad de un impacto eléctrico. Para hacer esto usted necesitara una pica de tierra y un cable de cobre de puesta a tierra de dimensiones apropiadas. Conduzca la pica en la tierra, conecte una punta del cable de cobre a la pica la otra punta conexión externa en el generador. Esta es una explicación general, consulte los códigos Nacionales y Locales para asegurarse que se cumplan.

### COMENZANDO

### COMBUSTIBLE DE MOTOR

Use combustible con un número de cetano mayor de 45. Compruebe el indicador de combustible al lado del la tapa del tanque y rellénalo cuando sea necesario.

### ACEITE DE MOTOR

El manual del motor u otra información proporcionada por el fabricante del motor reemplaza los datos dados aquí. Grado apropiado de aceite varía según el clima. El grado en la lista de abajo es típicamente un buen grado pero consulte su manual de motor para verificar el grado apropiado. Los puertos para rellenar de aceite están localizados en los dos lados del motor. El tapón gris tiene una varilla integrada para medir el nivel de aceite. Rellene con la cantidad apropiada de aceite y cheque el nivel usando la varilla. **NOTA:** La varilla debe ser puesta en el agujero pero no debe de atornillarse para comprobar el nivel de aceite.

MOTOR	HP	Capacidad de aceite	Grado
Yanmar L70	5.8	1.1 qt (1.0 l)	Vea manual
Yanmar L100	9.1	1.7 qt (1.6 l)	Vea manual

### BATERÍA DE ARRANQUE (Solo Modelos con Arranque Eléctrico)

Esta dimensionada a 12V-34AH. La Bateria esta totalmente cargada si el voltaje de 12.84VDC se mide a través de las terminales usando un DC Voltímetro.

### COLOCACIÓN

- Coloque el generador en una superficie plana y sólida para prevenir que se hunda.
- La superficie no debe de estar mas de 17° horizontales en cualquier dirección del motor para apropiada lubricación.
- Mantenga el combustible, aceite u otros explosivos en una distancia segura del generador.
- Seleccione un sitio que este bien ventilado y protegido del tiempo.
- Coloque el generador con seguridad lejos de gente y animales.

### FUNCIONAMIENTO

Cheque el aceite de motor antes de cada uso. Nunca ponga en funcionamiento el generador sin suficiente aceite.

### SOBRECARGA DEL GENERADOR

No exceda la carga máxima del generador cuando esté en funcionamiento continuo. Antes de conectar artículos al generador, determine el total de requisitos eléctricos de los productos que serán conectados. El requisito de cada artículo generalmente se da en la placa del nombre del fabricante. Abajo hay una lista de los artículos usados comúnmente y los requisitos típicos. Use la lista como una guía solo si no hay disponible otros datos.

#### GUIA GENERAL DE CONSUMOS

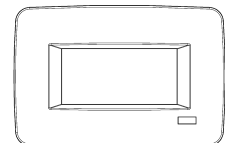
Artículo	Consumo en funcionamiento
Aire Acondicionado (12000 Btu) (*)	1750
Compresor de Aire (1/2 hp) (*)	1400
Compresor de Aire (3/4 hp) (*)	1800
Compresor de Aire (1 hp) (*)	2000
Cargador de Bateria (25A)	600
Liador de Banda (3" belt)	1000
Sierra Circular (7 1/4")	825-1050
Cafetera	900-1100
Afilador (césped)	550
Abanico de Horno (1/3 hp) (*)	1200
Plato Caliente (individual)	1500
Llave Inglesa	600
Foco	Bulb rating
Pistola de clavos	1200
Microondas	750
Esprayadora de Pintura (1/3 hp) (*)	650
Esprayadora de Pintura, manual-sin aire	175
Radio	.50-200
Refrigerador (*)	600
Sierra de Mesa (10") (*)	2000
Televisión	250-550
Cortador de Hierba	500

Nota: (\*) Artículos permiten por lo menos 3 veces mas que el voltaje en la lista.starting.

**NOTA:** Muchos aparatos como sierras o taladros toman mas corriente que la indicada en la placa del fabricante cuando esta bajo carga severa.

### CONTADOR HORARIO DIGITAL

- La prensa y el botón del modo de la liberación para bascular entre **Reloj Totales** y **Reloj 1 (TMR1)**.
- El **Reloj Totales** demuestra y registra las horas totales que su generador ha corrido. El **Reloj Totales** no puede reponer.
- El **Reloj 1** puede ser utilizado para rastrear horas operadoras para intervalos de servicio. El **Reloj 1** puede reponer teniendo el botón del modo abajo por 3 segundos mientras **TMR1** es demostrado.



HOUR METER  
HOROMÈTRE  
CONTADOR HORARIO

## ARRANQUE DEL GENERADOR

Antes de intentar arrancar el generador, asegúrese que todas las instrucciones proporcionadas en previas secciones se han seguido completamente.

- Cheque el nivel de aceite y combustibles.
- Abra la Válvula bajo el tanque de combustible.
- Abra la Válvula que esta al frente del motor.
- Apague el interruptor de control del ralentí.

## ARRANQUE MANUAL

- Mueva el interruptor a posición de ON.
- Lentamente tire del cable de arranque hasta que sienta resistencia y presione el nivel rojo ubicado sobre el motor y entonces tire fuerte. Deje que el arranque rebobine lentamente para evitar daños.

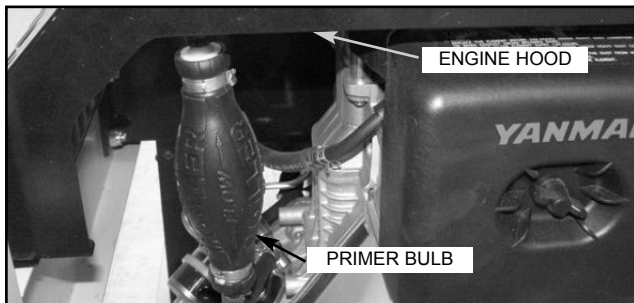
## ARRANQUE ELÉCTRICO

- Mueva el interruptor a posición de ON.
- Presione y mantenga el interruptor en posición de arranque hasta que el motor arranque y se suelte. Nota: Si el motor no arranca después de 5 segundos, pare y espere 10 segundos y repita es paso.

## PROCEDIMIENTO DE INICIO

Este procedimiento se requiere para arranque inicial o arranques siguientes, si se acaba el combustible ó si entra aire en el sistema de combustible.

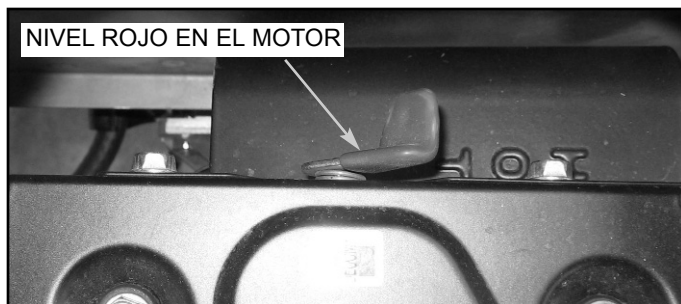
1. Llenar completamente el tanque con combustible DIESEL.
2. Abrir la válvula de apagado por combustible que se encuentra bajo el tanque.
3. Bomba de la bombilla cartilla bajo el capó del motor de 2-3 veces.
4. Revisar que el filtro de combustible esté completamente lleno de combustible DIESEL-No Aire.
5. Arranque el motor, presione el interruptor de inicio o tirar el retroceso.



Para Arranques Extremadamente fuerte ó de cuerda retráctil (yoyo), podrían ser necesarios los pasos 6 & 7.

6. Presione el nivel rojo ubicado sobre el motor por 3-4 segundos mientras presiona el interruptor de arranque, poniendo en marcha el motor.

7. Suelte el nivel rojo, manteniendo aun el interruptor de arranque en la posición de arranque por otros 2-3 segundos.
8. Si el motor no arranca repita este procedimiento (significa que el filtro no esta completamente lleno de combustible y todavía tiene aire dentro).



## GUIDE DE SÉLECTION DU VOLTAGE (modèles applicables)

Le commutateur de sélection de voltage permet à la génératrice de produire 120 volts seul ou 120/240 simultanément. Seuls les réceptacles 120V doivent être utilisés avec le commutateur en position 120V. Tout le courant de la génératrice est disponible à 120V mais la sortie 240V ne l'est pas. Tous les réceptacles sont disponibles en position 120/240 mais seulement la moitié du débit est disponible dans chaque réceptacle de 120V. Le plein débit peut être tiré de la génératrice à partir des réceptacles 240V. Le commutateur doit toujours être laissé en position 120V lorsque le 240V n'est pas nécessaire. Ceci balance mieux la charge de la génératrice.

## APAGADO DEL GENERADOR

Desenchufe los aparatos y deje correr el motor sin carga por unos minutos. Ponga el interruptor del motor en posición de Apagado. Cierre la Válvula abajo del tanque de combustible.

## APLICACIÓN DEL GENERADOR

### QUE ES UN GENERADOR

Un generador es básicamente un prime mover, típicamente un motor de gasolina o de diesel, unidos a un alternador para producir electricidad. Es muy útil como fuente de luz durante apagones o como fuente principal en localidades remotas donde no hay luz disponible. Los generadores son fundamentales para personas como contratistas o agricultores que son quien siempre necesitan energía portátil. También son muy convenientes para uso recreativo.

### SELECCIONAR UN GENERADOR

Seleccionar el generador apropiado es muy importante. Un generador que es muy pequeño para su aplicación no hará funcionar a todo el equipo necesario. Un generador que es muy grande le costara mas y si no es usado a su potencial el dinero será desperdiciado. El tamaño correcto del generador es determinado con el total de voltios requeridos en los artículos simultáneamente, determine lo vatios requeridos para arranque y sume estos números. Seleccione un generador que exceda por un 20% la potencia continua para permitir que funcione relajado. Vea la tabla titulada "Sobre carga del generador" para algunas guías de consumo de artículos comunes.

## CONSUMO NOMINAL VS. CONSUMO PICO

Los vatios nominales o continuos son los vatios que un articulo necesita para funcionar.

Los vatios pico o máximos son los vatios que se necesitan para arrancar. Típicamente son 2-4 veces mas que los vatios nominales.

Esta información es típicamente proporcionada por el fabricante en la placa del mismo. Si los vatios no son proporcionados pueden ser calculados usando la formula:  
 Vatios = Amperios x Voltios.

## CABLES DE EXTENSIÓN

Los cables de extensión siempre deben de estar en buena condición, sin daños en los mismos. Nunca corra una extensión entre agua. El tamaño correcto del cable de extensión puede ser determinado usando la tabla siguiente.

Carga Continua	Sección mínima del cable (AWG)			
	Amperios	0-50 Pies	50-100 Pies	100-150 Pies
20		12	10	8
25		12	10	6
30		10	8	6
35		10	8	4
40		8	6	2
50		6	4	2

**CARGA DE SU GENERADOR**

Con referencia de la sección de detalles de enchufes, por favor revise los enchufes de potencia instalados en su generador. La potencia del interruptor general y la potencia del generador determinan la carga actual que puede ser extraída de cada enchufe. Los consumos mostrados en la tabla son los máximos disponibles de cada enchufe. NO EXCEDA LOS CONSUMOS DEL ENCHUFE INDIVIDUAL COMO DICE EN LA TABLA DE ABAJO. NO EXCEDA EL CONSUMO TOTAL DEL GENERADOR MOSTRADO EN LA TABLA 2 ESPECIFICACIONES DE RENDIMIENTO. Todos lo generadores están equipados con un interruptor general magnético.

## TABLA DE AMPERAJE

Modelo	Vatios continuos	Vatios de oleada
E3750	3600 Vatios 30/15 Amps	3700 Vatios 30.8/15.4 Amps
S5500	5000 Vatios 41.7/20.8 Amps	5500 Vatios 45.8/22.9 Amps

## DETALLES DE RECEPTACULOS

Los receptáculos mostrados en esta sección son solo para referencia. Cada receptáculo no esta disponible en todos los generadores.



NEMA 5-20R  
125V - 20A



NEMA L5-30R  
125V - 30A



NEMA L6-30R  
250V - 30A



NEMA L6-20R  
250V - 20A



NEMA 14-50R  
125/250V - 50A



NEMA L14-20R  
125/250V - 20A



NEMA L14-30R  
125/250V - 30A

## LIMITACIONES DEL MOTOR Y RENDIMIENTO DEL GENERADOR

La potencia del generador se anuncia a 60°F (20C) y nivel del mar. El funcionamiento de su generador a temperaturas de más de 60°F (20C) o por encima del nivel del mar puede resultar en una reducción de la potencia eléctrica. La potencia eléctrica debe ser reducida un 1% por cada 10°F por encima de 60°F y 3 ½ % por cada 1000 pies por encima del nivel del mar.

## LIMPIEZA DEL GENERADOR



**CUIDADO:** SIEMPRE APAGUE EL GENERADOR Y PERMITA QUE SE ENFRIÉ COMPLETAMENTE ANTES DE LIMPIARLO.



**ADVERTENCIA:** NUNCA USE AGUA DE ALTA PRESIÓN O UNA MANGUERA DE JARDÍN PARA LIMPIAR SU GENERADOR. EL AGUA INTRODUCIDA EN SU GENERADOR PUEDE CAUSAR DESCARGAS ELÉCTRICAS, DAÑOS AL GENERADOR O LESIONES PERSONALES.

- Aire comprimido (max. 25 psi) puede ser usado para soplar polvo y lodo suelto de su generador. NO DIRIJA EL AIRE COMPRIMIDO DIRECTAMENTE A CUALQUIER APERTURA DEL GENERADOR O MOTOR.
- Use una tela húmeda para limpiar superficies exteriores.
- Use un cepillo con cerdas suaves para limpiar o aflojar lodo pesado, aceite o depósitos de grasa.
- NUNCA introduzca trapos, u otro tipo de herramienta a su generador o aperturas del motor.

## ALMACENAMIENTO GENERAL PAUTAS



**ADVERTENCIA:** LOS VAPORES DEL GASOLEO SON INFLAMABLES. NO ALMACENE SU GENSET EN NINGUNA AREA QUE ES INTERIOR NI EN AREAS MAL VENTILADAS. LOS VAPORES DEL GASOLEO PUEDEN ENCENDER EN LA PRESENCIA DE ALGUNA LLAMA ABIERTA, EL PILOTO, SECADOR DE ROPA, EL CALENTADOR, ETC.

- Su generador debe ser comenzado y debe ser operado durante varios minutos por lo menos cada 30 días.
- Si el generador no puede ser operado cada 30 días, sigue las recomendaciones de almacenamiento dentro de la documentación de motor.
- NOTA: Una válvula de la válvula del combustible es posicionada en la base del depósito. La válvula debe ser cerrada durante periodos de almacenamiento.

## MANTENIMIENTO GENERAL

### SELECTION DE ACEITE

Selección de aceite apropiado al igual que nivel de aceite es crítico para conseguir vida máxima del motor. Use aceite con alto detergente y alta calidad certificado para la clase CC y CD que debe ser designado en el contenedor. SAE 20W-40 es recomendado para uso general y todas las temperaturas. Use la tabla de abajo para seleccionar el aceite apropiado para la temperatura de su área.

Viscosidad	-30C/-22F	-20C/-4F	-10C/14F	0C/32F	10C/50F	20C/68F	30C/86F	40C/104F
Solo	10W	████████████████████						
	20W		████████████████████					
	20			████████████████████				
	30				████████████████████			
	40					████████████████████		
Múltiplo 20W-40, 20W-50 15W-40, 15W-50 10W-40 10W-30			████████████████████					
			████████████████████					
			████████████████████					
			████████████████████					

### INSPECCION DIARIA

1. Cuerda para arranque manual
2. Nivel de Aceite de Motor
3. Cheque el Aceite de Motor y Fugas de Combustible
4. Inspeccione los cables de bujías
5. Inspeccione el Sistema de Enfriamiento para Limpieza
6. Este al tanto de Ruidos Anormales
7. Este al tanto de Vibraciones Anormales

### GUIA PARA ENCONTRAR FALLAS

SINTOMAS	CAUSA POSIBLE	CORRECCION
MOTOR NO ARRANCA	<ol style="list-style-type: none"> <li>1. Bajo Nivel de Aceite.</li> <li>2. No Combustible o válvulas(s) apagadas.</li> <li>3. Interruptor de arranque apagado</li> <li>4. Sistema de Combustible Cerrado / Con Fugas</li> <li>5. Filtro de aire atascado.</li> <li>6. Generador bajo carga al arranque.</li> </ol>	<ol style="list-style-type: none"> <li>1. Rellene con Aceite.</li> <li>2. Rellene con Combustible / Prenda válvulas.</li> <li>3. Prenda el Interruptor</li> <li>4. Repare el sistema de combustible.</li> <li>5. Limpie o reemplace el filtro de aire.</li> <li>6. Desconecte la carga.</li> </ol>
NO HAY POTENCIA	<ol style="list-style-type: none"> <li>1. Interruptor atascado.</li> <li>2. receptáculo GFCI atascado.</li> <li>3. Interruptor con fallas.</li> <li>4. Receptáculo con fallas.</li> <li>5. Condensador con fallasen el alternador.</li> <li>6. Diodo con fallas en el alternador.</li> <li>7. Falla en el cableado del alternador.</li> </ol>	<ol style="list-style-type: none"> <li>1. Reajuste interruptor.</li> <li>2. Reajuste receptáculo GFCI.</li> <li>3. Reemplace el interruptor.</li> <li>4. Reemplace el receptáculo.</li> <li>5. Reemplace condensador.</li> <li>6. Reemplace diodos.</li> <li>7. Repare o reemplace el alternador.</li> </ol>
RUIDO DE LA MAQUINA	<ol style="list-style-type: none"> <li>1. Soporte Dañado.</li> <li>2. Sistema exhausto Dañado.</li> <li>3. Piezas flojas o sueltas.</li> </ol>	<ol style="list-style-type: none"> <li>1. Reemplace soporte.</li> <li>2. Repare o reemplace.</li> <li>3. Repare piezas flojas o sueltas.</li> </ol>
SOBRECIENTANDOSE	<ol style="list-style-type: none"> <li>1. Aperturas de ventilación bloqueadas.</li> <li>2. Sobrecarga.</li> <li>3. Temperatura del ambiente muy alta.</li> </ol>	<ol style="list-style-type: none"> <li>1. Despeje la aperturas de ventilación.</li> <li>2. Verifique los niveles de carga.</li> <li>3. Proporcione mejor ventilación para el enfriamiento.</li> </ol>
INTERRUPTORES ATASCADOS	<ol style="list-style-type: none"> <li>1. Circuito sobrecargado.</li> <li>2. Equipo o cable con fallas.</li> <li>3. Interruptores con fallas.</li> </ol>	<ol style="list-style-type: none"> <li>1. Reduzca la carga.</li> <li>2. Cheque, repare o reemplaza.</li> <li>3. Reemplace interruptor.</li> </ol>

---

## ORDENANDO PIEZAS

### **GENERAL**

Esta publicación que contiene desglosé ilustrados, ha sido preparado como una ayuda para localizar esas partes que pueden requerirse para el mantenimiento de la unidad. Todas las piezas en la lista de del desglosé, son fabricadas con la misma precisión que las originales. Para la mejor protección siempre exija piezas genuinas de Pramac Industries para su generador.

**NOTA:** Pramac America, LLC no llevara responsabilidad por lesiones o daños resultado de uso de piezas de reparación no aprobadas.

Piezas de ordenes especiales probablemente no estén incluidas en este manual. comuníquese con el proveedor local de PRAMAC con el numero de serie de la unidad para asistencia con estas piezas especiales.

### **DESCRIPCION**

El desglose de piezas ilustra y lista las piezas detalladas que componen esta particular maquina. Esto cubre los modelos estándar y las opciones mas populares que están disponibles. Los números de pieza, la descripción y la cantidad están mostradas en cada ilustración.

Las cantidades especificadas y los números de pieza usados por una asamblea no son necesariamente el numero total de piezas necesitadas en esta maquina. Donde no se especifique la cantidad se asume que es solo uno.

Cada descripción de una pieza esta basada en el método de "noun first", por ejemplo el nombre siempre es la primera parte de la descripción. El nombre generalmente es seguido por un modificador individual descriptivo. El modificador descriptivo puede ser seguido de una palabra o abreviación como upper, lower, inner, outer, front, rear, RH, LH, etc. cuando son fundamentales.

### **MARCAS Y CALCOMANIAS**

**NOTA:** No pinte sobre advertencias de seguridad o calcomanías instruccionales. Si las calcomanías de seguridad dejan de ser legibles, ordene reemplazos inmediatamente de la fabrica.

Números de pieza para las originales calcomanías individuales y sus localidades para montarlas están mostradas en la sección de Lista de Piezas. Están disponibles mientras el modelo en particular este en producción. Después de esto, sets de servicio de calcomanías exteriores y calcomanías de advertencias de seguridad al día están disponibles.

### **COMO USAR LA LISTA DE PIEZAS**

- Valla a la sección de Lista de Piezas.
- Localice el área de la maquina en la cual se usa la pieza y encuentre la ilustración.
- Localice la pieza en la ilustración por identificación visual y haga nota del numero de la pieza y descripción.

### **COMO ORDENAR**

La forma satisfactoria de ordenar piezas por un comprador es dependiente de uso apropiado de toda la información disponible. Al proporcionar la oficina de ventas mas cercana, compañías autónomas o distribuidores autorizados, con información completa, usted los ayudara a que llenen su orden correctamente y evitar tardanzas innecesarias. En forma que todos los errores evitables se eliminen, las siguientes instrucciones son ofrecidas como guía para el comprador cuando ordene piezas de emplazamiento:

- Siempre especifique el numero de modelo de la maquina.
- Siempre especifique el numero de serie de la unidad. ESTO ES IMPORTANTE. El número de serie de la unidad.
- Siempre especifique el numero la lista de piezas de la publicación.
- Siempre especifique la cantidad de piezas requeridas.
- Siempre especifique el numero de pieza, al igual que la descripción de la pieza, o piezas, exactamente como esta en la ilustración y en la lista.



---

En caso que las piezas sean regresadas a su oficina de ventas mas cercana, compania autónoma o distribuidor autorizado, para inspección o reparación, es muy importante incluir el numero de serie de la unidad del cual las piezas son removidas.

#### **TERMINOS Y CONDICIONES EN ORDENES DE PIEZAS**

**Aceptación:** Aceptación de una oferta es limitada expresamente a los términos incluidos aquí. Si la orden de compra es usada para la aceptación de una oferta, esta expresamente entendido y de acuerdo a los términos y condiciones de tal formulario de orden no deben aplicarse a menos que este expresamente de acuerdo por Pramac America, LLC (“Company”) en escrito. No términos adicionales o contrarios serán atados sobre la Compania a menos que este expresamente de acuerdo por escrito.

**Impuestos:** Cualquier impuesto u otro cargo gubernamental sobre la producción, venta, uso o embarque del material y equipo ordenado o vendido no esta incluido en el precio de la compania y será cargado al mismo y pagado por el Comprador. Fechas de embarque deben ser extendidas por la tardanzas debidas a los actos de Dios, actos del Comprador, actos del Gobierno, incendios, inundaciones, huelgas, disturbios, guerra, embargo, cortos en transportación, o tardanzas en parte del suplidor de la compania u otras causas fuera del control de la compania.

Si el Comprador requiere instrucciones especiales de embarque, como uso exclusivo de facilidades de embarque, incluyeron transporte aéreo cuando un transportador común ha sido cotizado antes de cambiar la orden a la orden de compro que puede ser recibida por la compania, los cargos adicionales serán honorados por el Comprador.

**Garantía:** La Compania garantiza que las piezas fabricadas serán como se especifica y no habrán defectos en el material y errores en la fabricación.

La responsabilidad de la Compania bajo esta garantía debe ser limitada a la reparación o emplazamiento de cualquier pieza a la hora que el Comprador notifique a la Compania de tal defecto en cuanto lo descubra, pero no después de (3) meses del día de embarque de parte de la Compania.

La única excepción a la dicha previamente es la garantía extendida así como aplica al programa especial de intercambio. Reparaciones y reemplazos deben ser del origen de embarque de la Compania. La Compania no debe ser responsable por los costos de transportación, removimiento o instalación.

Las garantías que aplican al material o equipo suministrado por la Compania pero fabricado completamente por otros debe ser limitado a las garantías extendidas a la Compania por el fabricante que son capaces de transmitir al Comprador.

**Reparto:** Fechas de Envío son aproximadas. La Compania usara los mejores esfuerzos para enviarlos para las fechas especificadas; Sin embargo, La Compania no debe ser responsable por la tardanza o falla en la entrega estimada o envío del material y equipo o por cualquier daño sufridos por razón alguna.

La compania no hace otra garantía o representación de cualquier tipo del que sea, expresada o implícita, excepto la del titulo, y todas las garantías implicadas, incluyendo cualquier garantía de comercialmente y capacidad para propósito particular, aquí negados.







**PRAMAC America**  
**1190 Kennestone Cir, Suite 110**  
**Marietta, GA 30066**